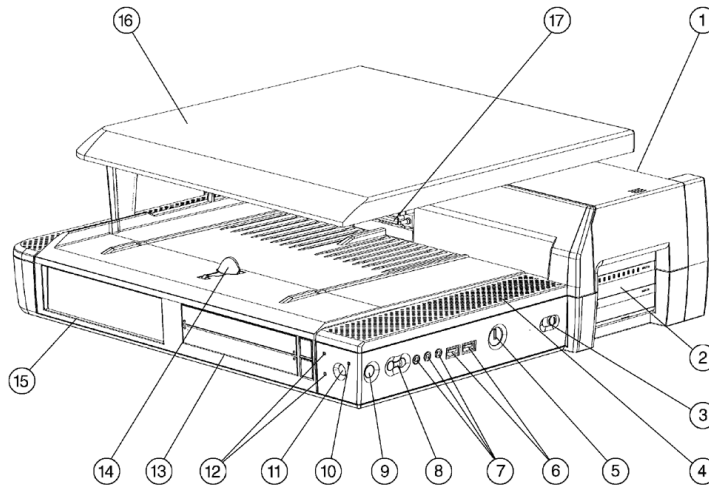


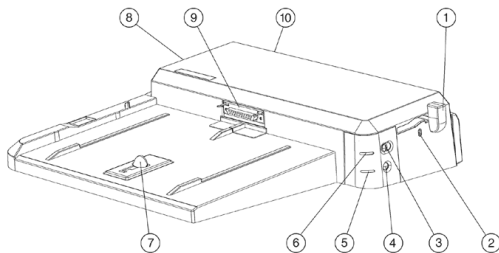
Overview

Expansion Base - Full Desktop Expansion



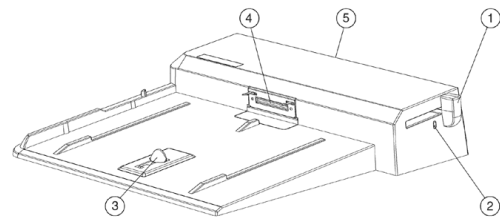
- | | |
|----------------------------------|----------------------------|
| 1. Port Replication | 9. Eject Button |
| 2. Industry-Standard PCI Slots | 10. Power LED |
| 3. Power Button | 11. Standby Button |
| 4. Stereo Speakers | 12. MultiBay Activity LEDs |
| 5. Keylock (comes with two keys) | 13. Two Stacked MultiBays |
| 6. USB Ports | 14. Security Latch |
| 7. Audio Jacks | 15. Half height Bay |
| 8. Volume Control Buttons | 16. Monitor Support Cover |
| | 17. Docking Connector |

Convenience Base - Desktop Connectivity



- | | |
|-----------------------|----------------------|
| 1. Eject Lever | 6. Power LED |
| 2. Security Lock Slot | 7. Security Latch |
| 3. Power Button | 8. PCI Slot |
| 4. Undock Button | 9. Docking Connector |
| 5. Safe Undock LED | 10. Port Replication |

Port Replicator - Cable Management



- | | |
|-----------------------|----------------------|
| 1. Eject Lever | 4. Docking connector |
| 2. Security Lock Slot | 5. Port Replication |
| 3. Security Latch | |

Models

Expansion Base with Intel NIC	120266-001
Expansion Base without NIC	383500-001
Convenience Base with Intel NIC	120971-001
Convenience Base without NIC	382500-001
Port Replicator	382300-001

Standard Features

Standard Features for Expansion Base

Notebook Compatibility

As Compaq's first Common full desktop expansion base, the Expansion Base supports both the Evo and Armada notebook families. It is not compatible with the Armada 1000, 3000, 4000, 6000 or 7000 Series notebooks.

Expandable Design

- 1 full-size industry-standard PCI slot (Supports 32-bit PCI expansion boards)
 - 2 half-size industry-standard PCI slots (Supports 32-bit PCI expansion boards) – 1 configurable with choice of 3COM or Intel Network Interface Card
 - Half-height bay accommodates industry-standard, half height devices such as CD-ROM drives and tape drives.
 - 2 Stacked 12.7 mm MultiBays accommodate notebook MultiBay devices, including DVD, LS-120 and MultiBay Battery.
-

Hot Docking/Undocking support

Motorized hot docking/undocking under Microsoft Windows 98, Windows 2000 and Windows XP Professional (available 4Q01)

Network Interface

Integrated Intel® Pro/100+ Network Interface Card standard or
Integrated the 3COM 3C905C-TX EtherLink® 10/100 Network Interface Card (through special order only)

Wake On LAN Support

Wake On LAN from OFF is supported via Intel and 3COM 3C905C-TX EtherLink 10/100 NICs.

Battery Charging

Bottom MultiBay supports charging of Evo/Armada MultiBay Batteries.

Multimedia

2 Stereo Speakers with Compaq Premier•Sound for enhanced quality sound.

Port Replication

Serial Port, Parallel port, CRT Port, PS/2 Mouse port, PS/2 Keyboard port, Line-in, Line-out, Microphone, 2 USB ports.

Innovative Tower Stand Design

Vertical Tower Stand option provides space savings by allowing operation of the expansion base and notebook in a vertical position on the desk or floor. Also backward compatible to existing Expansion Bases.

Service and Support

Three-year limited warranty

NOTE: Certain restrictions and exclusions apply. Consult the [Compaq Customer Support Center](#) for details.

Standard Features for Convenience Base and Port Replicator

Notebook Compatibility

As Compaq's first Common convenience base and port replicator, the Convenience Base and Port Replicator support both the Evo and Armada notebook families. It is not compatible with the Armada 1000, 3000, 4000, 6000, or 7000 Series notebooks.

Standard Features

Hot Docking/Undocking support

Manual hot docking/undocking under Microsoft Windows 98, Windows 2000 and Windows XP Professional (available 4Q01)

Network Interface (Convenience Base Ethernet Model Only)

Integrated Intel Pro/100+ Network Interface Card standard or
Integrated 3COM 3C905C-TX EtherLink 10/100 Network Interface Card (through special order only)

Wake On Lan Support (Convenience Base Ethernet Model Only)

Wake On LAN from OFF is supported via Intel and 3COM 3C905C-TX EtherLink 10/100 NICs.

Port Replication

Serial Port, Parallel port, CRT Port, PS/2 Mouse port, PS/2 Keyboard port, Line-out, USB port.

Additional Ports (Convenience Base only)

Line-in, Microphone, Additional USB port (two total)

Service and Support

One-year limited warranty

NOTE: Certain restrictions and exclusions apply. Consult the [Compaq Customer Support Center](#) for details.

Compatibility

Portables

Compaq Evo N600c

Compaq Evo N400c (Requires N400c Mobile Expansion Unit)

Compaq Armada E500

Compaq Armada E700

Compaq Armada M700

Compaq Armada M300 (Requires M300 Mobile Expansion Unit)

Compaq Armada V300 (only compatible with the Port Replicator, this is not compatible with the Expansion Base or the Convenience Base)

Technical Specifications

Dimensions (H x W x D)	Expansion Base (without optional Monitor Support Cover)	5 x 18 x 16.9 in (12.6 x 45.7 x 42.9 cm)	
	Expansion Base (with optional Monitor Support Cover)	5.7 x 18 x 17.7 in (14.6 x 45.7 x 45 cm)	
	Convenience Base (without optional Monitor Support Cover)	3.8 x 17.2 x 16.7 in (9.7 x 43.6 x 42.4 cm)	
	Convenience Base (with optional Monitor Support Cover)	5.1 x 17.2 x 17.7 in (13 x 43.6 x 44.9 cm)	
	Port Replicator	3.5 x 15.6 x 14.6 in (8.8 x 39.6 x 37.1 cm)	
Weight	Expansion Base (without optional Monitor Support Cover)	18.3 lb (8.3 kg)	
	Expansion Base (with optional Monitor Support Cover)	6 lb (2.7 kg)	
	Convenience Base (without optional Monitor Support Cover)	9.5 lb (4.3 kg)	
	Convenience Base (with optional Monitor Support Cover)	7.3 lb (3.3 kg)	
	Port Replicator	3 lb (1.3 kg)	
Monitor support (maximum)	75 lb/34 kg		
Power supply (input)	Expansion Base	Rated Voltage	100 to 120 VAC/220 to 240 VAC
		Rated Current	2.5 to 5 Amps
		Line Frequency	50 to 60 Hz
	Convenience Base	Rated Voltage	100 to 127 VAC/220 to 240 VAC
		Rated Current	1.9 Amps
		Line Frequency	50 to 60 Hz
	Port Replicator	Rated Voltage	100 to 127 VAC/220 to 240 VAC
		Rated Current	1.5 Amps
		Line Frequency	50 to 60 Hz
Temperature	Operating	50° to 95°F (10° to 35°C)	
	Non-operating	-22° to 140°F (-30° to 60°C)	
Relative humidity	Operating	20% to 80%	
	Non-operating	5% to 90%	
Maximum altitude	Operating	10,000 ft/3,048 m	
	Non-operating	30,000 ft/9,144 m	
Shock	Operating	5 G, 11 ms, half sine	
	Non-operating	140 G, 2 ms, half sine	
Vibration	Operating	0.25 G, 10 to 500 Hz sine 0.25 octave/minute sweep	
	Non-operating	0.75 G, to 500 Hz sine 0.5 octave/minute sweep	
Intel PRO/100+	Connector Type	RJ-45	
	Cable Type	Category 5 twisted pair	
	Bus Type	PCI 2. 2	
	IEEE Standard	802.1p and 802.1Q	
	IEEE Support	802.2 and 802.3	
	Wake-on-LAN support	Yes	
	Data rates	10 and 100 Mbps	

Technical Specifications

3COM 3C905C-TX	Standards Compliance	Wired for Management 2.0, PCI 2.2, DMI 2.0, ACPI, Microsoft certified
	Pre-OS Boot Protocol support	PXE, BootP/DHCP, NCP, RPL
	Operating Temperature	32° to 131° F (0 to 55° C)
	Operating Humidity	85% at + 131° F (+ 55° C)
	Connector Type	RJ-45
	Cable Type	Category 5 twisted pair
	Bus Type	PCI 2. 2
	IEEE Standard	802.1p and 802.1Q
	IEEE Support	802.2 and 802.3
	Wake-on-LAN support	Yes
Data rates	10 and 100 Mbps	
Standards Compliance	Wired for Management 2.0, PCI 2.2, DMI 2.0, ACPI, Microsoft certified	
Pre-OS Boot Protocol support	PXE, BootP/DHCP, NCP, RPL	
Operating Temperature	32° to 158° F (0 to 70° C)	
Operating Humidity	10% to 90% non-condensing	

Related Options

Tower stand/monitor stands	Expansion Base Tower Stand (also supports existing Expansion Bases)	123129-B25
	Convenience Base Monitor Support Cover	122931-B25
PCI card options	PCI CardBus Reader (for Expansion Base and Convenience Base only)	127397-B25
	PCI IBM Token Ring Card	133749-B21
MultiBay Devices (for use with Expansion Base only)	DVD/CD-RW Combo Drive	237184-B25
	CD-ROM Drive	298452-B25
	DVD Drive	138230-B25
	CD-RW Drive	136186-B25
	Zip 250 Drive	217387-B25
	SuperDisk 2X LS-120	197895-B25
	SuperDisk LS-120	197895-B25
	10-GB SMART Hard Drive	212789-B25
	20-GB SMART Hard Drive	212790-B25
	30-GB SMART Hard Drive	212791-B25
Input devices	Li-Ion 6-cell MultiBay Battery	387937-B25
	Carbon 2-button Mouse	103180-B21
	Carbon Keyboard	118003-008
Monitors	S710 17-inch Compaq Color Monitor (carbon)	154499-002
	TFT8000 Flat Panel (carbon) Build to order-60 day lead time	307932-001
	TFT5000 Flat Panel (carbon) Build to order-60 day lead time	400064-001

© Copyright 2003 Hewlett-Packard Development Company, L.P.

The information contained herein is subject to change without notice.

The only warranties for HP products and services are set forth in the express warranty statements accompanying such products and services. Nothing herein should be construed as constituting an additional warranty. HP shall not be liable for technical or editorial errors or omissions contained herein.