

Compaq StorageWorks™

Release Notes for KZPCC-CE (3-Channel) and KZPCC-AC (1-Channel) Backplane RAID Controllers

These release notes contain the most recent supplemental information for the Compaq StorageWorks KZPCC-CE and KZPCC-AC backplane RAID controllers. Both controllers belong to the same controller family, commonly referred to as KZPCC controllers. The KZPCC-CE is a three-channel controller. The KZPCC-AC is a one-channel controller.

Be sure to read these notes and check the KZPCC-CE and KZPCC-AC World Wide WEB sites for the latest updates before installing these controllers into your server.

The KZPCC-CE controller WEB site:

<http://www5.compaq.com/products/storageworks/Array-and-SCSI-Controllers/KZPCC.html>

The KZPCC-AC controller WEB site:

<http://www5.compaq.com/products/storageworks/Array-and-SCSI-Controllers/KZPCC-AC.html>

The following software versions and updates are needed for the KZPCC-CE or KZPCC-AC support:

- Compaq Tru64 UNIX operating system version V4.0f with the New Hardware Delivery –3 kit (NHD 3) or Compaq Tru64 UNIX operating system version V4.0G

The New Hardware Delivery –3 kit (NHD 3) is listed on the World Wide Web as:

nhd3.tar.gz Tru64 UNIX V4.0F New Hardware Support

The Web page is:

http://ftp.service.digital.com/public/Digital_UNIX/v4.0f/

The optional Tru64 UNIX V4.0F Patch Kit 5, required for the on-line diskconfig utility support is listed on the World Wide Web as:

duv40fas0005-2001mmdd.tar where mmdd are the calendar month and day when the patch kit is created

The Web page is:

http://ftp.service.digital.com/public/Digital_UNIX/v4.0f/

The optional Tru64 UNIX V4.0G Patch Kit 2, required for the on-line diskconfig utility support is listed on the World Wide Web as:

T64v40gas0002-2001mmdd.tar

The Web page is:

http://ftp.service.digital.com/public/Digital_UNIX/v4.0g/

- Compaq Tru64 UNIX operating system version V5.1 with the Patch Kit 3

Patch Kit 3 is mandatory for supporting the KZPCC-CE and KZPCC-AC controllers on the Tru64 UNIX V5.1

The Patch Kit 3 is listed on the World Wide Web as:

T64v51as0003-2001mmdd.tar

The web page is:

http://ftp.service.digital.com/public/Digital_UNIX/v5.1/

Storage Works Command Console (SWCC) kit version V2.3 is shipped on a CD-ROM with the controller.

The Storage Works Command Console (SWCC) kit will be listed on the World Wide Web as:

SWCC for KZPCC V2.3

The Web page is:

<http://www5.compaq.com/products/storageworks/Array-and-SCSI-Controllers/KZPCC.html>

Note: The SWCC for KZPCC V2.3 should not be installed on Tru64 UNIX V5.1 unless the Patch Kit 3 is applied to the system.

■ Alpha Console Firmware standing web page is:

<http://ftp.digital.com/pub/Digital/Alpha/firmware>

■ Compaq Analyze Version V3.1& 4.0 and DecEvent Version V3.3 are used for KZPCC-CE and KZPCC-AC Event logging.

The Compaq Analyze is listed on the World Wide Web as:
WEBES V3.1 or V4.0

The Web page for the documentation is:

<http://www.support.compaq.com/svctools/webes/>

The DECevent supported on Alpha Servers 800 is listed on the World Wide Web as
DECevent V3.3.

The Web page for the kit and documentation is:

<http://www.support.compaq.com/svctools/decevent/index.html>

Introduction

The KZPCC-CE and KZPCC-AC controllers are high-performance, 64-bit PCI to Ultra2/LVD backplane controllers for use with the Compaq StorageWorks enclosures 4200 (model 4254) and 4300 (models 4354 and 4314).

NOTE: In the future the KZPCC-CE and KZPCC-AC controllers will also support the Compaq DS-BA35X-FC UltraSCSI storage enclosures and BA610-6D internal disk cages. Information for use of the DS-BA35X-FC and BA610-6D with the controllers is included in the User Guide. This information is for future reference only.

This document describes any known restrictions or issues when using the controller within your system configuration, and has the following sections:

- Parts lists for the Compaq StorageWorks KZPCC-CE and KZPCC-AC
- Replacement Parts
- Supported Compaq servers
- Supported operating systems
- Verified device listing
- Restrictions and issues
- Example configurations for the KZPCC-CE and KZPCC-AC controllers
- Battery replacement

Parts Lists

Table 1
Compaq StorageWorks KZPCC-CE Parts List

Part Number	Revision	Description
(Digital Classic)		
DS-KZPCC-XE	C	Three-Channel, 64-bit PCI to Ultra2/LVD backplane RAID controller with 64MB cache and battery backup
AA-RKL7C-TE	C	Release notes for the KZPCC-CE and KZPCC-AC (this document)
AA-RKL6B-TE	B	Compaq StorageWorks KZPCC-CE User Guide
179525-021	C01	Warranty
215918-001	B01	Worldwide Telephone Directory
QB-66KAA-SA	C	SWCCKZPCC-CE ALL LIC/CDRM PKG
QA-66KAA-GZ	C	SWCCKZPCC-CE ALL DOC KIT (included with QB-66KAA-SA)
QM-66KAA-AA	A	SWCCKZPCC-CE ALL SYS 1 LIC (included with QB-66KAA-SA)

Table 2
Compaq StorageWorks KZPCC-AC Parts List

Part Number	Revision	Description
(Digital Classic)		
DS-KZPCC-XC	C	Single-channel, 64-bit PCI to Ultra2/LVD backplane RAID controller with 16MB cache and battery backup
AA-RKL7C-TE	C	Release notes for the KZPCC-CE and KZPCC-AC (this document)
AA-RKL6B-TE	B	Compaq StorageWorks KZPCC-CE User Guide
179525-021	C01	Warranty
215918-001	B01	Worldwide Telephone Directory
QB-66KAA-SA	C	SWCCKZPCC-CE ALL LIC/CDRM PKG
QA-66KAA-GZ	C	SWCCKZPCC-CE ALL DOC KIT (included with QB-66KAA-SA)
QM-66KAA-AA	A	SWCCKZPCC-CE ALL SYS 1 LIC (included with QB-66KAA-SA)

Replacement Parts

Table 3
KZPCC-CE Replacement Parts

Part Number	Description
DS-MS100-DE	64MB DIMM
DS-KZPCC-UB	Battery replacement kit

Table 4
KZPCC-AC Replacement Parts

Part Number	Description
DS-MS100-DC	16MB DIMM
DS-KZPCC-UB	Battery replacement kit

Supported Compaq Servers

The Compaq StorageWorks KZPCC-CE and KZPCC-AC are supported on the servers listed in Table 5.

Table 5
Supported Compaq AlphaServers

AlphaServer	Maximum Number of Supported Controllers
DS10	2
ES40	8
GS80	8
GS160	8

continued

Table 5
Supported Compaq AlphaServers *continued*

AlphaServer	Maximum Number of Supported Controllers
GS320	8
XP1000	1
XP900	2
AS800	1

- On AS800 platform KZPCC-CE/KZPCC-AC devices are supported as data devices only, no boot support is available.
- AS800 platforms are not supported past the Alpha SRM V5.8 console stream.
- On XP1000 platform the KZPCC-CE/KZPCC-AC boards are only supported in the single PCI0 64-bit Slot 3 location.
- KZPCC-AC controllers are not supported on on GS80/GS160/GS320 system platforms.
- The Tru64 UNIX V4.0F and V4.0G operating system is not supported on GS80/GS160/GS320 system platforms with KZPCC-CE controllers.

Supported Operating Systems

The KZPCC-CE and KZPCC-AC are supported on Compaq Tru64 UNIX V4.0F operating system with New Hardware Delivery (NHD) -3 Kit, the Tru64 UNIX V4.0G operating system and Tru64 UNIX V5.1 operating system with the mandatory Patch Kit 3.

The Tru64 UNIX V4.0F Patch kit 6 and V4.0G Patch Kit 3 are options needed for the runtime diskconfig utility support.

These Patch Kits contain some important improvements for the Tru64 UNIX V4.0F & V4.0G Operating Systems which will help to optimize the operation of your KZPCC-CE and KZPCC-AC controllers so we recommend all our customers to use them.

Table 6 lists the minimum supported versions of the hardware and software components for the KZPCC-CE and KZPCC-AC products as required for the three currently supported Operating Systems.

Table 6
Minimum Supported Hardware/Software for KZPCC-CE and KZPCC-AC Controllers for Tru64 V4.0F, V4.0G, and V5.1

	V4.0F	V4.0G	V5.1 with PK3
Hardware	B01* A01**	C01	C01
Firmware	CQZ2	CQ15	CQ15
SMOR	Smor0021.1 11	Smor0033.112	Smor0033.112
SWCC	V2.2	V2.3	V2.3
SRM console	V5.7	V5.8***	V5.8***

* KZPCC-CE controller

** KZPCC-AC controller

*** V6.0 SRM console revision is recommended on all supported system platforms; V5.9B SRM console revision is the minimum supported version on the GS80/GS160/GS320 system platforms.

Table 7
Supported Alpha Servers and Operating Systems

Alpha Server	Tru64 UNIX version	Order No.
DS10	V4.0F, V4.0G, V5.1	DA-PB10A-XX, DA-73BAA-XX
ES40	V4.0F, V4.0G, V5.1	DA-64CAA-XX
GS80	V5.1	DA-A80BA-XX, 1001-MHz

continued

Table 7
Supported Alpha Servers and Operating Systems *continued*

Alpha Server	Tru64 UNIX version	Order No.
GS160	V5.1	DA-A80BA-XX, 1001-MHz
GS320	V5.1	DA-A80BA-XX, 1001-MHz
XP1000	V4.0F, V4.0G, V5.1	SN-E2G6W-32
XP900	V4.0F, V4.0G, V5.1	SN-DB10W-A3
AS800	V4.0F, V4.0G, V5.1	21164 333, 400 & 500-MHz CPU versions

Supported Devices

For a listing of the SCSI devices (disk drives) supported by the KZPCC-CE and KZPCC-AC in 4254, 4354, and 4314, see Table 6.

Table 8
Supported Device for Compaq StorageWorks Models 4254, 4354, and 4314 Enclosures

Type	Capacity	Speed (RPM)	Part Number
Ultra2/LVD	18.2 GB	10,000	128418-B22 / 3R-A0561-AA
Ultra2/LVD	18.2 GB	7,200	388144-B22 / 3R-A0527-AA
Ultra2/LVD	9.1 GB	10,000	328939-B22 / 3R-A0526-AA
Ultra2/LVD	9.1 GB	7,200	123065-B22 / 3R-A0525-AA

continued

Table 8
Supported Device for Compaq StorageWorks Models 4254, 4354,
and 4314 Enclosures *continued*

Type	Capacity	Speed (RPM)	Part Number
Ultra3/Ultra2 Capable	36.4 GB	10,000	176496-B22 / 3R-A0919-AA
Ultra3/Ultra2 Capable	18.2 GB	10,000	142673-B22 / 3R-A0585-AA
Ultra3/Ultra2 Capable	9.1 GB	10,000	142671-B22 / 3R-A0584-AA
Ultra3/Ultra2 Capable	18.2 GB	15,000	188122-B22 / 3R-A1543-AA
Ultra3/Ultra2 Capable	9.1 GB	15,000	188120-B22 / 3R-A1542-AA

SMOR Restrictions and Issues

- If the SMOR utility is to be used for initial configuration of newly attached storage enclosures, the device enclosures must be power cycled prior to powering up the server and entering the SMOR utility.
- If a build (activity on selected devices) does not start after selecting Set System Config from the file menu in SMOR (RAID 1, 5, 0+1, 0+5 ONLY); then delete those RAID sets, reboot, enter the SMOR utility, and recreate the RAID sets.
- Ignore the serial number displayed in SMOR's Controller Information Pages and instead use the serial number listed on the label found on the controller board.
- Use only the default Controller Configuration Settings found in SMOR unless otherwise noted.
- Use of SMOR is restricted to AlphaServers with graphics console settings (SMOR is not supported under a serial console).
- Save Firmware feature under the Action menu is currently not supported.

- Due to a new SRM console I2O implementation, you need to use two new SRM console commands to invoke the SMOR utility:
"sho bios" is used to examine your KZPCC-CE or KZPCC-AC console configuration, and "run bios pzxo" is used to start the SMOR utility with a specific controller.
- s3trio style video cards may cause SMOR to hang. If this happens, you will have to initiate a system reset by pressing the "Reset" button on your Alpha Server operational panel. If replacing a s3trio video card with a different supported video card is not possible, we recommend you not use SMOR for configuring new devices and use the on-line SWCC utility instead. However you should be able to use SMOR initially for configuring your KZPCC-CE/KZPCC-AC Tru64 UNIX O/S system disk.
- The SRM graphics console might get hung on GS-series platforms when exiting SMOR or you might see the following SRM console errors on GS-series platforms when starting or exiting SMOR:

```
non-existent PCA for io_enable_interrupts -- 0 -2  
41611686018427387903 2 b52d8
```

These errors as well as the console hang are benign and do not impact the normal operation of the KZPCC-CE/KZPCC-AC controllers or the SMOR utility. In the case of hung console you will need to use the reset button on the server front panel in order to get back to the console prompt.

StorageWorks Command Console (SWCC) Restrictions and Issues

- The SWCC KZPCC-CE and KZPCC-AC client/agent utilities must be used for effective management and event log reporting of the KZPCC-CE or KZPCC-AC subsystem.
- SWCC client software must be installed on a personal computer running Windows NT 4.0 or Windows 2000.
- You can find the version of the Agent, on the Agent Management tab of the Agent Configuration Utility. The Client version can be obtained by displaying the Help > About dialog box in the KZPCC Storage window.
- You may notice text about the DMS Client at the end of the installation. Please ignore this information.
- If the Agent determines all of your controllers are unsupported or you have no controllers available, the Agent program will exit.
- The Agent logs events to the syslog daemon using the "user" facility at the "notify" priority. The output of these will be governed by the setup of the /etc/syslog.conf configuration. If the Agent fails to start, check this log to determine the cause.
- Attaching the KZPCC Client to a system without the Agent installed or running results in an error message stating: "The KZPCC client failed to connect to system X, WSAECONNREFUSED: Connection refused"
- The controller has a built-in audible alarm, which is silenced by default. This alarm may be enabled through the use of SWCC client Applet.
- If the Agent has stopped responding, the dialog box displayed while connecting to the Agent will hang. To remove the dialog box, use the Task Manager to end the kzpcc.exe process on the Client system.
- The firmware does not retain the state of devices that are not part of the configuration between reboots. For example, if the Agent system is rebooted while there is a failed device that is not part of the configuration, the Agent will report the device as available.
- Rebuilds are automatically started by SWCC when rebuild operation is initiated on the last failed device, transitioning the logical drive from reduced to rebuilding.

- A failed device that has been replaced by a hot spare will assume the failed state and will not be associated with the array. If the system is subsequently rebooted, the failed device will assume the “available” state. This drive should be treated as a failed device.
- When you replace a failed hotspare with a good device, the firmware will still label the device as “failed.” To be able to use this device, you must force it to an available state.
- If you have one or more rebuilding arrays and decide to create a new logical unit, SWCC may present reconstructing members of the arrays as available. Although presented as available, SWCC will not let you choose those reconstructing drives as members of new arrays.
- During the KZPCCconfig utility startup the old version of the utility is displayed (V2.2-15). This information must be ignored.
- There is a limitation in SWCC for a number of disk drives you can configure in a RAID5: you cannot select more than nine physical drives to create a RAID5 set. This limitation will be fixed in the future release of SWCC software. In the meantime you can use SMOR for creating RAID5 arrays with more than nine members.
- If there is a failed disk drive in RAID50 or RAID10 and you want to swap it with a new one and rebuild the array, you need to be sure to use a disk of equal or larger capacity to the smallest capacity disk in the array. If you try to insert a disk of a smaller capacity than the smallest disk in the array, the virtual disk might appear to rebuild in the SWCC Applet, but the actual rebuild operation does not start.
- When used in Tru64 UNIX clusters the SWCC Agent needs to be installed on one node only. On all other nodes the Agent must be started manually for the first time through the KZPCCconfig utility. If the automatic startup of the Agent is enabled, then the Agent will start automatically during the next system boot.

Event Logging

- All KZPCC-CE and KZPCC-AC controller events are reported by SWCC and put in the binary.errlog file. Events are then extracted and interpreted by the Compaq Analyze and DECEvent utilities.

Compaq Analyze V3.1 and DECEvent V3.3 are the versions that support the KZPCC-CE and KZPCC-AC controllers.

RAID Restrictions and Issues

- Adding new physical disks to enclosures housing previously configured logical units must only be done when your AlphaServer is powered up and running Tru64 UNIX Operating System. Do not add new disk drives to KZPCC-CE or KZPCC-AC storage arrays having existing configurations when your system is powered down. Failure to observe this restriction can lead to unintended configuration changes causing unrecoverable data loss.
- Rebuilds are started on all failed members of a RAID 0+1 or RAID 0+5 in reduced mode regardless of how that rebuild is started.

In SMOR a rebuild on a logical drive can be started by either selecting rebuild with the logical drive highlighted, or selecting rebuild with the physical drive highlighted. In SWCC a rebuild is started only by selecting a physical drive.

- Stripe size of the RAID 0 portion of a RAID 0 + 1 or RAID 0+5 is governed by the stripe size of the elements that make up the logical drive.

For the RAID 0+5 case, the stripe size can be adjusted based on the stripe size chosen for the RAID 5 base arrays. However, for the RAID 0 + 1 case, the stripe size is a fixed value and cannot be modified. Although SMOR presents a stripe size for the RAID 0 portion, when creating RAID 0 + 1 and RAID 0 + 5, the value is ignored and overwritten by the firmware based on the stripe size of the base arrays.

- RAID sets are immediately available for use following completion of the creation steps, even while the RAIDset is building.

However Tru64 UNIX O/S installations are only supported to fully optimized RAIDsets.

Activity on the RAIDset members may be present in the absence of other I/O activity during the build of certain RAIDset types.

- There are situations when all drives in a RAID 0+5 can incorrectly be marked failed in the SWCC applet. Specifically, when two physical drives in one of the base arrays fail and a write operation is tried to the logical drive, a cache write back failure occurs. If only a small amount of data is written, so that it is wholly contained on one drive only, all drives in the logical unit get marked failed instead of just the two physical drives that actually failed. In this case, to distinguish between the drives which really experienced hard errors and the good remaining drives in the RAID 0+5, the Eventlogs reported in Compaq Analyze must be examined. Only drives which reported Unrecoverable Hard Errors in the SWCC Sense Data events have actually failed.
- If one of the members of a RAID 0+1 or RAID 0+5 fails during a rebuild operation, the logical unit might not change its state to reduced immediately following the drive failure. This happens because the rebuild operation still continues on the remaining base arrays. Eventually the upper-level array (the logical unit) will become reduced after the rebuild operation is finished. At this point you will be able to recover your RAID 0+1 or RAID 0+5 array by selecting the failed drive in the SWCC applet and manually starting the reconstruction process.
- If a drive fails in one base array (A1) of a RAID 0+1 or RAID 0+5 while the other base array (A2) is reconstructing to a new drive (could be an available hot spare) due to a prior failure in that array, the top level-array may be marked as degraded. For this to occur, there must be an available hot spare in the A1, and A2 must be reconstructing. Additionally the reconstructing drive in A2, as well as the available hot spare in A1, will both be marked as failed in SWCC. In this situation you can recover your RAID 0+1 or RAID 0+5 array by selecting one of these failed members (with a right mouse click) and then manually starting the reconstruction process. The RAID 0+1 or RAID 0+5 will start the reconstruction process.
- The smallest member used in the creation of the RAIDset determines the usable logical drive size. When creating hot spares, make sure the drive is at least as big as the smallest drive member.

Drive Roaming Restrictions

Moving a logical drive configuration existing on a physical device from one point to another on the KZPCC-CE or KZPCC-AC controller is not supported. If you want to move a physical drive to a different slot within a controller this drive must first be made available (unconfigured) via SWCC.

Logical drives can be reconstructed from one or more members of a logical drive placed in a different controller. This is useful for moving a logical drive from a failed controller to another controller. This reconstruction feature can not be disabled.

To reconstruct a logical drive when moved from a failed controller to a new controller:

1. Power down the system with the failed controller.
2. Remove drives - members of the logical drive.
3. Place drives in a storage enclosure connected to a KZPCC-CE or KZPCC-AC controller on a different system (must be powered down too) using the same storage enclosure slot numbers as in the original enclosure or leave the drives in place and replace the failed controller with a new one.
4. Power up the system. You will be able to access your data after you boot the operating system.

NOTE: When adding a disk drive off a shelf to a KZPCC-CE or KZPCC-AC controller on-line (system powered up) it is possible that some previous logical drive configuration data may be resident on the disk. If so the controller may present via SWCC partial or whole RAID arrays derived from that configuration information. In this case you must use SWCC to delete the configuration information on the drive and put the drive to available state.

Device Shelf Restrictions and Issues

- The on-line LED on the disk drive housing should be ignored when used in the Model 4254, 4354 or model 4314 device shelf.

Compaq Tru64 UNIX Restrictions and Issues

- Virtual-disk device naming under Compaq Tru64 UNIX:

For the Tru64 UNIX 4.0F and 4.0G versions the format of the device name for a KZPCC-CE or KZPCC-AC virtual disk is:

`/dev/riNNN[a-h]` for the block special devices

and

`/dev/rriNNN[a-h]` for the character special devices

where NNN is the device number. The 4.0x stream UNIX kernel assigns device numbers as follows: device numbers 0 through 127 are assigned to the first controller (in the system scan order); 128 through 255 to the second, and so forth. Whenever a new virtual disk is recognized by the UNIX kernel, it is assigned the lowest unused device number in that controller's range.

For the Tru64 UNIX 5.1 version the format of the device name for a KZPCC-CE or KZPCC-AC virtual disk is:

`/dev/disk/dskNNN[a-h]` for the block special devices

and

`/dev/rdisk/dskNNN[a-h]` for the character special devices

where NNN is the device number. The 5.x stream UNIX kernel assigns device numbers arbitrarily.

If new virtual disks are created by StorageWorks Command Console, they are recognized by the kernel immediately upon creation. Virtual disks that are created via an offline utility are recognized at the next system boot.

A given virtual disk retains the same device number until it is explicitly deleted via StorageWorks Command Console, at which time its device number is made available for assignment to a new virtual disk, as detailed above.

- Tru64 UNIX O/S installations are only supported to fully optimized (built) RAIDsets.
- All new KZPCC-CE or KZPCC-AC logical devices created though SMOR or SWCC must be diskabeled. Some of the devices might contain diagnostic disklabels or disklabels preserved from a previous use. These old disklabels are not valid with the new logical devices anymore and must be replaced with new disklabels.
- If there are two KZPCC-CE or KZPCC-AC controllers in your AlphaServer configuration, the Compaq Tru64 UNIX system may become temporarily locked if the power to the AlphaServer is shut off or a SCSI cable is removed from a StorageWorks device pedestal during I/O operations. Your Compaq Tru64 UNIX system is expected to recover in the time frame of 3 to 15 minutes.
- Booting up Tru64 UNIX installed on a KZPCC-CE or KZPCC-AC logical unit in general takes longer time than booting up a SCSI Tru64 UNIX single O/S disk. For example it takes about 2 minutes to boot up a DKX (rz online) device versus 6 minutes for a DZX (ri online) device. This is explained by reads from RAID devices take longer than from a single disk drive.
- When running GENERIC kernel, online management and monitoring is not supported. To run StorageWorks Command Console, use a custom kernel.
- If during a reboot sequence the message "I2O device timed-out exiting INIT state, entering RESET state" displays, shutdown the system (use the shutdown -h now command), perform an initialization (init command) at the console, and then reissue the boot command. The O/S patch kits mentioned above fix this problem.
- During the Patch Kit 3 installation on an Alpha server with KZPCC-CE/KZPCC-AC controllers running the Tru64 V5.1 O/S after the new kernel is built and the system reboot is initiated the double reboot will occur. This happens due to the specific design of the KZPCC-CE/KZPCC-AC Tru64 UNIX device drivers. The double reboot should not be interrupted.
- The Tru64 UNIX V5.1 PK3 is mandatory for KZPCC-CE/KZPCC-AC controllers' support and should not be removed on a system with those controllers installed. If the PK3 is accidentally removed you must follow the recovery procedure outlined in the CSC Release Notes which are found at the following URL:
http://www.tru64unix.compaq.com/faqs/publications/pub_page/os_update.html

If you are still uncertain and need more help you can send e-mail to

readers_comment@zk3.dec.com

- After installation of the PK3 on your AlphaServer running Tru64 UNIX V5.1 the system must be rebooted with a new patched kernel. You must not attempt to do any configuration changes and boot genvmunix prior to completing the first reboot with a patched kernel after installing the PK3.

- Tru64 UNIX V4.0F to Tru64 UNIX V5.1 install upgrades on systems with KZPCC-CE/KZPCC-AC controllers are supported for the following paths:

Tru64 UNIX V4.0F to Tru64 UNIX V4.0G;

Tru64 UNIX V4.0G to Tru64 UNIX V5.1

- The KZPCC-CE/KZPCC-AC devices are only supported as data devices in Tru64 UNIX clusters, no boot support is available.

The KZPCC-CE/KZPCC-AC devices in Tru64 UNIX clusters function as local only non-shared devices.

- If you delete a logical volume and then create a new logical volume on a system that is a part of a Tru64 V5.1 UNIX cluster, the new logical volume will be accessible only after the node with KZPCC-CE or KZPCC-AC controllers is rebooted. This problem will be fixed in the Tru64 UNIX V5.1 Patch Kit 4.
- If your system panics when booting genvmunix, you need to boot your custom vmunix kernel again, start KZPCCconfig utility and disable the automatic SWCC Agent startup. Then you can shutdown, boot genvmunix and build a new custom kernel. You may enable the automatic SWCC Agent startup after you reboot with the new custom kernel.

Cache Memory Restrictions

Use only Compaq part number DIMMs with the KZPCC-CE or KZPCC-AC controller. Follow the procedure in the Maintenance and Troubleshooting section of the user guide to install DIMMs. The KZPCC-CE supports only one 64MB cache memory DIMM, and the KZPCC-AC supports only one 16MB cache memory DIMM.

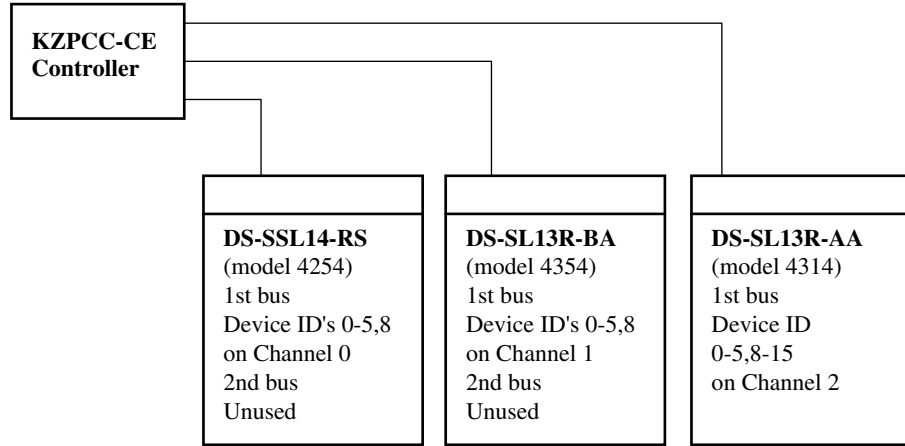
Configuration Examples

Hardware and Connection

Detailst64v51as0002-20001204.tar

- All cables used are VHDCI to VHDCI BN37A-xx, where 25 meters is the maximum cable length from the KZPCC-CE to the Compaq StorageWorks Enclosure 4200 (Model 4254) or 4300 (Models 4354 and 4314).
- The model 4254 P/N 138151-001 contains an Ultra2 capable fault-bus supported I/O module which is dual bus only.
- The model 4354 P/N 190211-00 contains an Ultra3 capable fault bus supported I/O module which is dual bus only.
- The model 4314 P/N 190209-001 contains an Ultra3 capable fault bus supported I/O module which is a single bus only.
- For the models 4254 and 4354 the device ID's on each bus segment will be 0 through 5 and 8, since ID's 6 and 7 are reserved for initiators or EMU's as appropriate.
- For the model 4314 the device ID's on each bus segment will be 0 through 5 and 8 through 15, ID's 6 and 7 are reserved again.
- Also contained in the 4254, 4354 and 4314 is an EMU p/n 70-40064-03 with fault bus support.
- Compaq StorageWorks Enclosure 4200 (model 4254) or 4300 (models 4354 and 4314) device shelves cannot be daisy chained together.

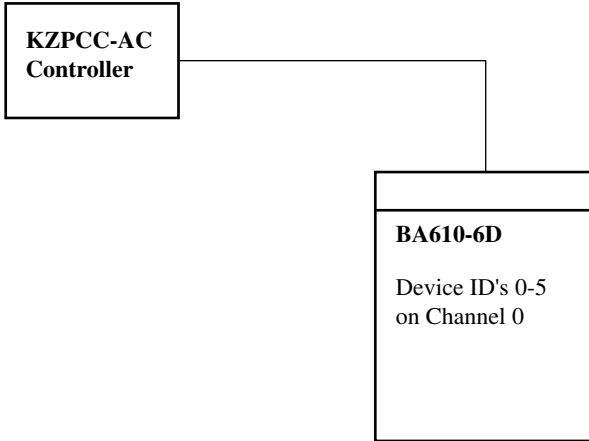
Example Configuration: 3-channel KZPCC-CE controller and 3 LVD SCSI device enclosures



MR0061

Figure 1. KZPCC-CE, three-channel configuration

**Example Configuration: 1-channel
KZPCC-AC controller and a model
4314 LVD enclosure**



MR0062

KZPCC Battery Replacement

An issue was found in versions CQ16 and earlier KZPCC firmware that could cause issues when the KZPCC battery is replaced. The issue is that a replacement battery may fail the initial calibration and be marked as bad. KZPCC firmware version CQ17 corrects this issue. Prior to replacing the battery on a KZPCC the user should upgrade the firmware to version CQ17.

On a KZPCC with CQ16 or earlier firmware that has failed the initial calibration after a recent battery replacement the user can upgrade the firmware to CQ17 and re-run the initial calibration cycle once. Note that this is the only case where the initial battery calibration should be run more than once as running the calibration also resets the suggested replacement date of the battery.

CQ17 firmware is available on the KZPCC-AC and KZPCC-CE web pages at:

http://h18002.www1.hp.com/alphaserver/products/storage/kzpcc_ac.html

<http://h18002.www1.hp.com/alphaserver/products/storage/kzpcc.html>

CQ17 firmware is also available on the V7.0 or later Alpha Systems Firmware CD. Refer to the KZPCC User Guide for details on how to upgrade the firmware.

NOTICE

© Copyright 2005 Hewlett-Packard Development Company, L.P.

The information contained herein is subject to change without notice. The only warranties for HP products and services are set forth in the express warranty statements accompanying such products and services. Nothing herein should be construed as constituting an additional warranty. HP shall not be liable for technical or editorial errors or omissions contained herein.
Printed in the U.S.A.