



AlphaServer ES40

Model 1 to Model 2 Upgrade

Order Number: EK-ES4M2-UP. A01

This guide is intended for service providers and self-maintenance customers who are upgrading a *Compaq AlphaServer* ES40 system.

First Printing, July 1999

The information in this publication is subject to change without notice.

COMPAQ COMPUTER CORPORATION SHALL NOT BE LIABLE FOR TECHNICAL OR EDITORIAL ERRORS OR OMISSIONS CONTAINED HEREIN, NOR FOR INCIDENTAL OR CONSEQUENTIAL DAMAGES RESULTING FROM THE FURNISHING, PERFORMANCE, OR USE OF THIS MATERIAL. THIS INFORMATION IS PROVIDED "AS IS" AND COMPAQ COMPUTER CORPORATION DISCLAIMS ANY WARRANTIES, EXPRESS, IMPLIED OR STATUTORY AND EXPRESSLY DISCLAIMS THE IMPLIED WARRANTIES OF MERCHANTABILITY, FITNESS FOR PARTICULAR PURPOSE, GOOD TITLE AND AGAINST INFRINGEMENT.

This publication contains information protected by copyright. No part of this publication may be photocopied or reproduced in any form without prior written consent from Compaq Computer Corporation.

© 1999 Digital Equipment Corporation.

All rights reserved. Printed in the U.S.A.

The software described in this guide is furnished under a license agreement or nondisclosure agreement. The software may be used or copied only in accordance with the terms of the agreement.

COMPAQ and the Compaq logo are registered in United States Patent and Trademark Office. Tru64 is a trademark of Compaq Computer Corporation. AlphaServer and OpenVMS are trademarks of Digital Equipment Corporation. UNIX is a registered trademark in the U.S. and other countries, licensed exclusively through X/Open Company Ltd.

Microsoft, Windows, and Windows NT are registered trademarks of Microsoft Corporation.

Other product names mentioned herein may be the trademarks of their respective companies.

Warning! This is a Class A product. In a domestic environment this product may cause radio interference in which case the user may be required to take adequate measures.

Achtung! Dieses ist ein Gerät der Funkstörgrenzwertklasse A. In Wohnbereichen können bei Betrieb dieses Gerätes Rundfunkstörungen auftreten, in welchen Fällen der Benutzer für entsprechende Gegenmaßnahmen verantwortlich ist.

Attention! Ceci est un produit de Classe A. Dans un environnement domestique, ce produit risque de créer des interférences radioélectriques, il appartiendra alors à l'utilisateur de prendre les mesures spécifiques appropriées.

警告使用者:

這是甲類的資訊產品，在居住的環境中使用時，可能會造成射頻干擾，在這種情況下，使用者會被要求採取某些適當的對策。

に基づくクラスA情報技術装置です。この装置を家庭環境で使用すると電波妨害を引き起こすことがあります。この場合には使用者が適切な対策を講ずるよう要求されることがあります。

FCC Notice: This equipment generates, uses, and may emit radio frequency energy. The equipment has been type tested and found to comply with the limits for a Class A digital device pursuant to Part 15 of FCC rules, which are designed to provide reasonable protection against such radio frequency interference.

Operation of this equipment in a residential area may cause interference in which case the user at his own expense will be required to take whatever measures may be required to correct the interference.

Any modifications to this device—unless expressly approved by the manufacturer—can void the user's authority to operate this equipment under part 15 of the FCC rules.

Contents

Preface vii

Chapter 1 Preparing to Upgrade

1.1 Preparing to Upgrade..... 1-2

Chapter 2 Performing the Upgrade

2.1 Removing Enclosure Panels..... 2-2

2.2 Accessing a Rackmount System..... 2-6

2.3 Removing Covers from the System Chassis..... 2-8

2.4 Replacing the Memory Motherboards (MMBs)..... 2-12

2.5 Replacing the PCI Backplane 2-14

2.6 Verifying the Upgrade..... 2-20

Preface

Intended Audience

This manual is for service providers and self-maintenance customers who are upgrading a *Compaq AlphaServer ES40* system from a Model 1 to a Model 2.

Document Structure

This manual uses a structured documentation design. Topics are organized into small sections, usually consisting of two facing pages. Most topics begin with an abstract that provides an overview of the section, followed by an illustration or example. The facing page contains procedures.

This manual has two chapters.

Chapter 1, Preparing to Upgrade, lists the contents of the upgrade kit and lists steps to take before performing the upgrade.

Chapter 2, Performing the Upgrade, gives instructions on replacing the memory motherboards and the PCI backplane.

Documentation Titles

Table 1 Compaq AlphaServer ES40 Documentation

Title	Order Number
User Documentation Kit	QZ-6E88A-G8
Owner's Guide	EK-ES240-UG
User Interface Guide	EK-ES240-UI
Tower and Pedestal Basic Installation	EK-ES240-PD
Release Notes	EK-ES240-RN
Documentation CD (6 languages)	AG-RF9HA-BE
Maintenance Kit	QZ-01BAB-GZ
Service Guide	EK-ES240-SV
Illustrated Parts Breakdown	EK-ES240-IP
Loose Piece Items	
Rackmount Installation Guide	EK-ES240-RG
Rackmount Installation Template	EK-ES4RM-TP
ES40 DIMM Information Sheet	EK-MS610-DM
ES40 Model 2 to Model 2 Upgrade	EK-ES4M2-UP

Support Resources

Support resources for this system are available on the Internet, including a supported options list, firmware updates, and patches.

<http://www.digital.com/alphaserver/technical.html>

Chapter 1

Preparing to Upgrade

This document explains how to upgrade from a *Compaq AlphaServer ES40* Model 1 system to a Model 2 system. The upgrade increases the system's memory capacity and I/O capacity.

3X-KFPPA-AA Upgrade Kit

The 3X-KFPPA-AA upgrade kit contains the following components:

Component	Part Number	Quantity
10-slot PCI backplane	54-30156-01	1
8-slot memory motherboard	54-25582-01	4

Installation Tools

The upgrade requires the following tools:

- Phillips #2 screwdriver (a magnetic screwdriver is recommended)
- Allen wrench (3 mm)
- Anti-static wrist strap

1.1 Preparing to Upgrade

Before performing the upgrade, shut down the system and remove power.

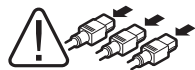
Observe the warnings below and perform the following actions before beginning the upgrade:

1. Shut down the operating system according to the instructions in the operating system documentation.
2. Shut down power on all external devices connected to the system.
3. Shut down power to the system.
4. Unplug the power cord from each power supply.



WARNING: To prevent injury, access is limited to persons who have appropriate technical training and experience. Such persons are expected to understand the hazards of working within this equipment and take measures to minimize danger to themselves or others. These measures include:

- 1. Remove any jewelry that may conduct electricity.**
 - 2. When accessing the system card cage, power down the system and wait 2 minutes to allow components to cool.**
 - 3. Wear an anti-static wrist strap when handling internal components.**
-



WARNING: To prevent injury, unplug the power cord from each power supply before installing components.

Chapter 2

Performing the Upgrade

The following steps are required to perform the upgrade:

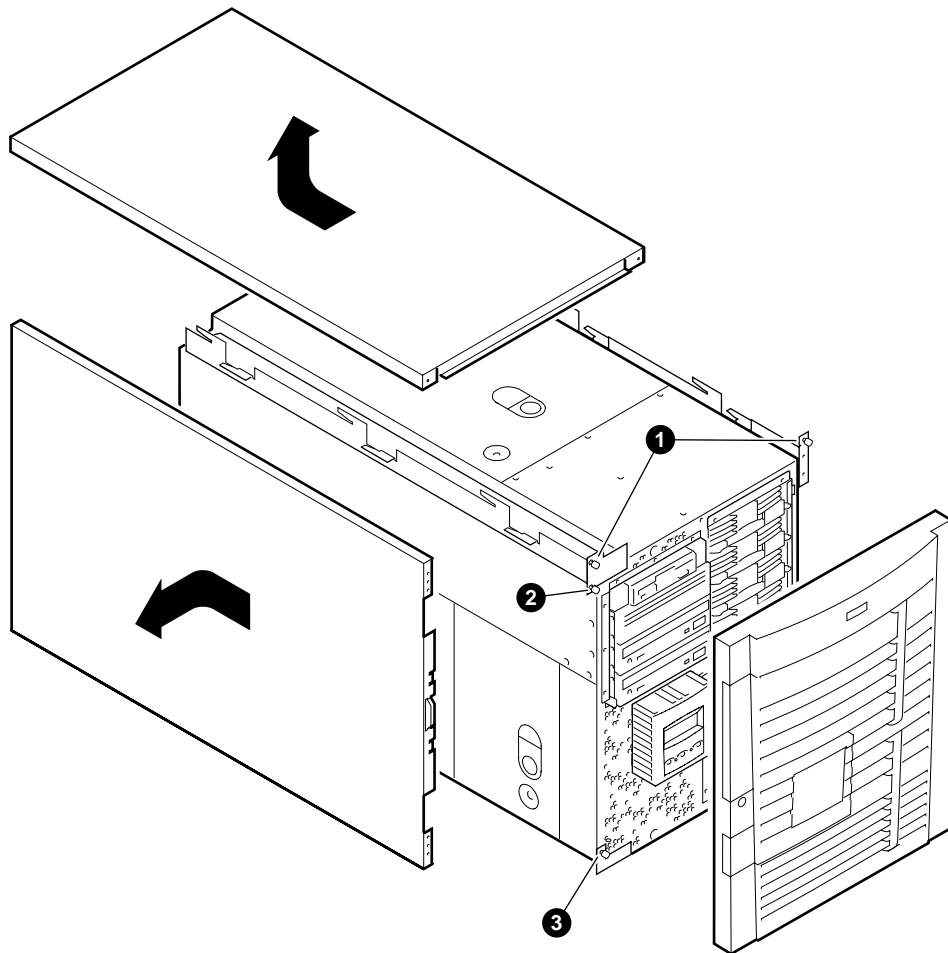
- Replacing the 4-slot memory motherboards (MMBs) with the 8-slot MMBs
- Replacing the 6-slot PCI backplane with the 10-slot PCI backplane

The procedures are on the following pages.

1.1 Removing Enclosure Panels

Open and remove the front door. Loosen the captive screws that allow you to remove the top and side panels.

Figure 2-1 Enclosure Panel Removal (Tower)



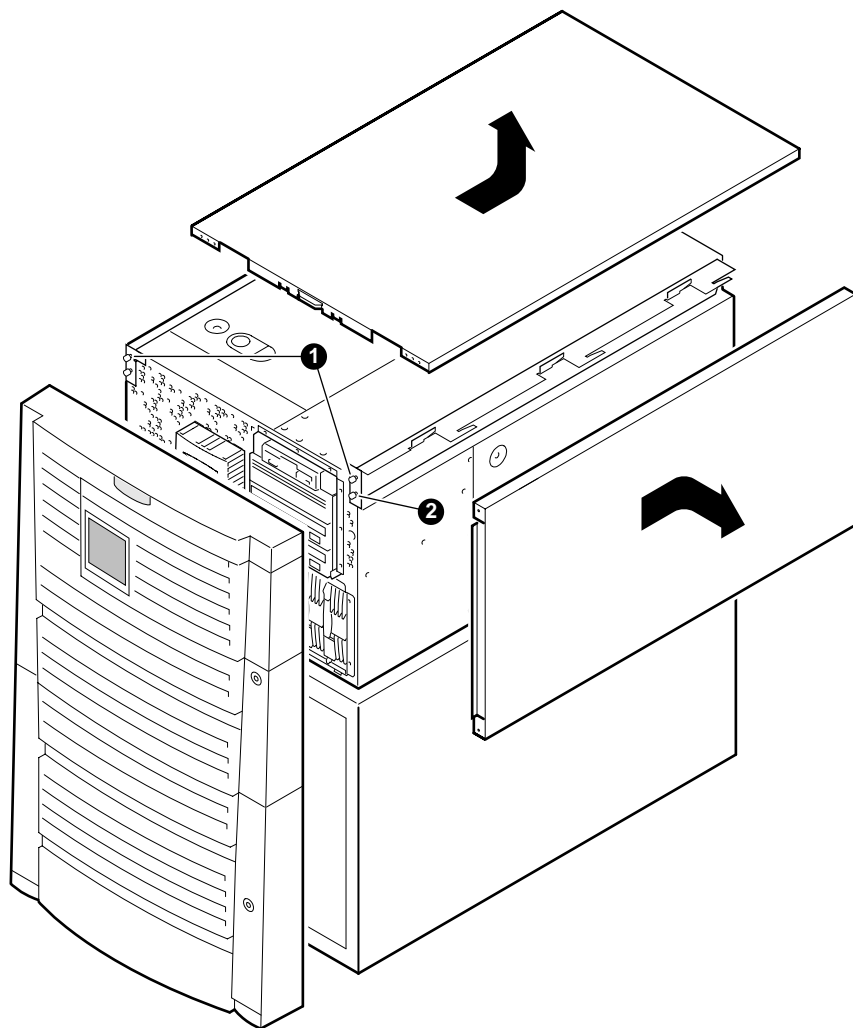
PK0221

To Remove Enclosure Panels from a Tower

The enclosure panels are secured by captive screws.

1. Remove the front door.
2. To remove the top panel, loosen the top left and top right captive screws ❶. Slide the top panel back and lift it off the system.
3. To remove the left panel, loosen the captive screw ❷ at the top and the captive screw ❸ at the bottom. Slide the panel back and then tip it outward. Lift it off the system.
4. Go to Section 2.2 for instructions on removing covers from the system chassis.

Figure 2-2 Enclosure Panel Removal (Pedestal)



PK0234

To Remove Enclosure Panels from a Pedestal

The enclosure panels are secured by captive screws.

1. Open and remove the front doors.
2. To remove the top enclosure panel, loosen the top left and top right captive screws ❶. Slide the top panel back and lift it off the system.
3. To remove the right enclosure panel, loosen the captive screw shown in ❷. Slide the panel back and then tip it outward. Lift the panel from the three tabs.
4. Go to Section 2.2 for instructions on removing covers from the system chassis.

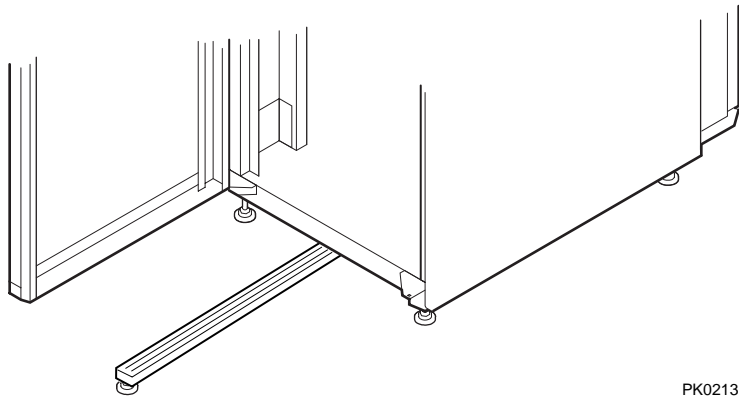
2.1 Accessing a Rackmount System

In a rackmount system, the system chassis is mounted to slides.



WARNING: Pull out the stabilizer bar and extend the leveler foot to the floor before you pull out the system. This precaution prevents the cabinet from tipping over.

Figure 2-3 Stabilizer Bar and Leveler Foot



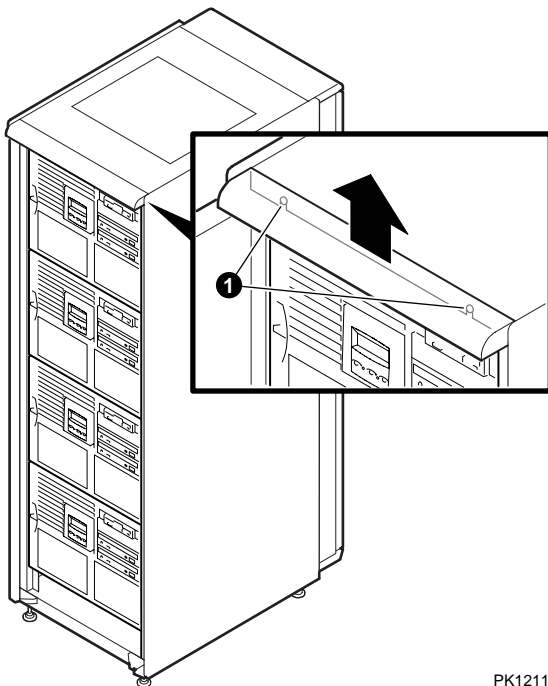
PK0213

To Gain Access to the System

1. Open the front door of the cabinet.
2. Pull out the stabilizer bar at the bottom of the cabinet until it stops. See Figure 2-3.
3. Extend the leveler foot at the end of the stabilizer bar to the floor.
4. Snap out the front bezel.
5. Remove and set aside the two screws, one per side (if present), that secure the system to the cabinet.
6. Pull the system out until it locks.

NOTE: *In a 4-system H9A10 cabinet, remove the top overhang bezel by loosening the two screws ❶.*

Figure 2-4 H9A10 Overhang Bezel



PK1211

2.2 Removing Covers from the System Chassis



WARNING: To prevent injury, access is limited to persons who have appropriate technical training and experience. Such persons are expected to understand the hazards of working within this equipment and take measures to minimize danger to themselves or others.



=== V @ >240VA

WARNING: High current area. Currents exceeding 240 VA can cause burns or eye injury. Avoid contact with parts or remove power prior to access.

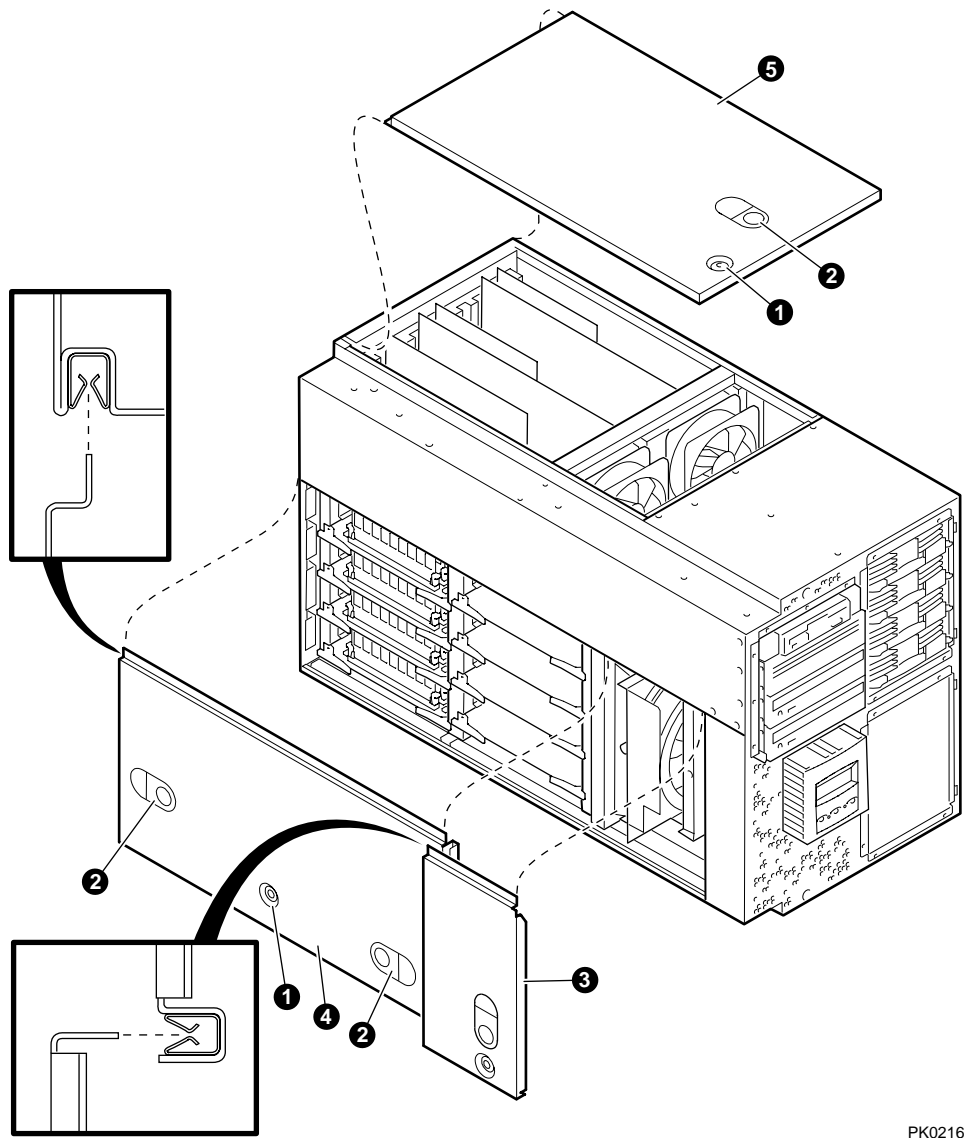


WARNING: Contact with moving fan can cause severe injury to fingers. Avoid contact or remove power prior to access.

Figure 2–5 and Figure 2–6 show the location and removal of covers on the tower and pedestal/rackmount systems, respectively. The numbered callouts in the illustrations correspond to the following:

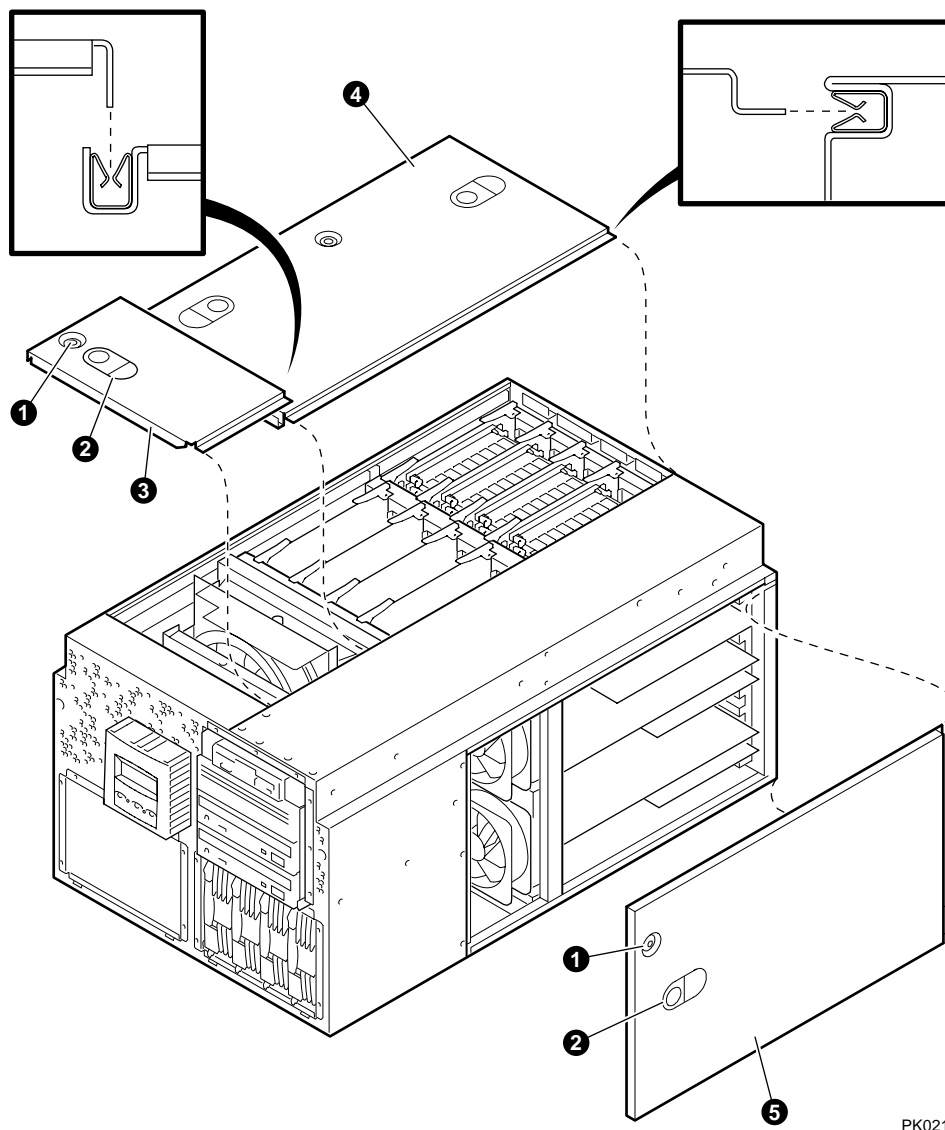
- ❶ 3mm Allen captive quarter-turn screw that secures each cover.
- ❷ Spring-loaded ring that releases cover. Each cover has a pull-up ring.
- ❸ Fan area cover. This area contains the main system fan and a redundant fan.
- ❹ System card cage cover. This area contains CPUs, memory DIMMs, and memory motherboards (MMBs). To remove the system card cage cover, you must first remove the fan area cover ❸. An interlock switch shuts the system down when you remove the system card cage cover.
- ❺ PCI card cage cover. This area contains PCI cards, the PCI backplane, and four fans.

Figure 2-5 Removing Covers from a Tower



PK0216

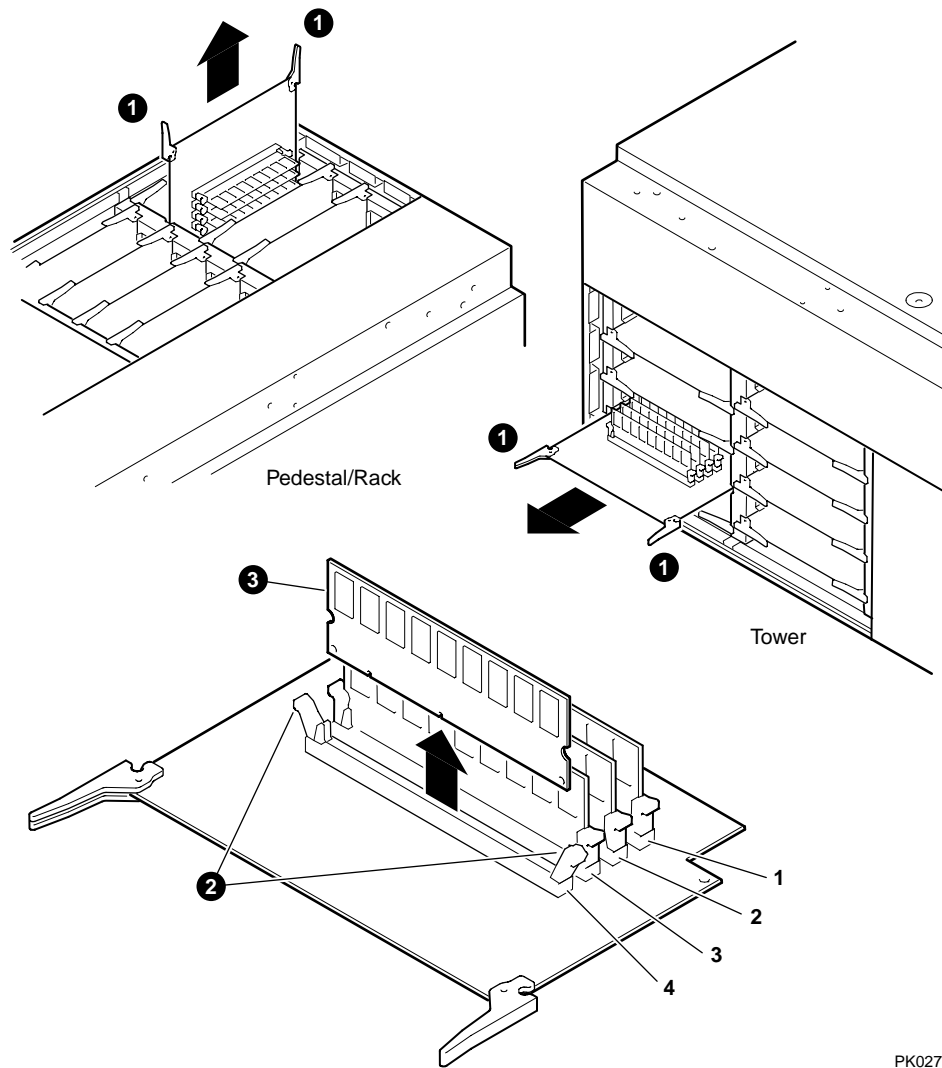
Figure 2-6 Removing Covers from a Pedestal/Rack



PK0215

2.3 Replacing the Memory Motherboards (MMBs)

Figure 2-7 Removing MMBs and DIMMs



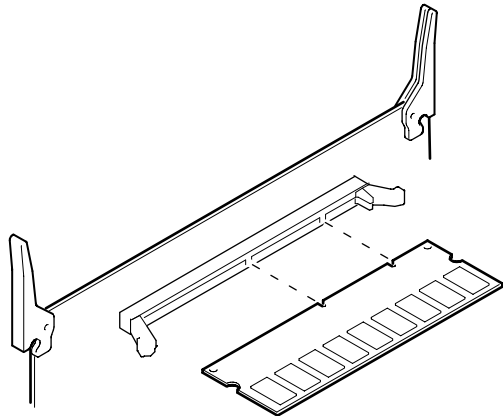
PK0278

1. Remove the fan cover and the system card cage cover.
2. Release the clips ❶ securing the 4-slot MMB and slide out the MMB.
3. Release the clips ❷ securing the DIMMs ❸ and remove the DIMMs from the MMB.

NOTE: *Be sure to record the position of DIMMs for reinstallation.*

4. Install the DIMMs into the 8-slot MMBs in the same positions as in the old MMBs. Align the notches on the gold fingers with the connector keys as shown in Figure 2–8.

Figure 2–8 Aligning DIMM in MMB

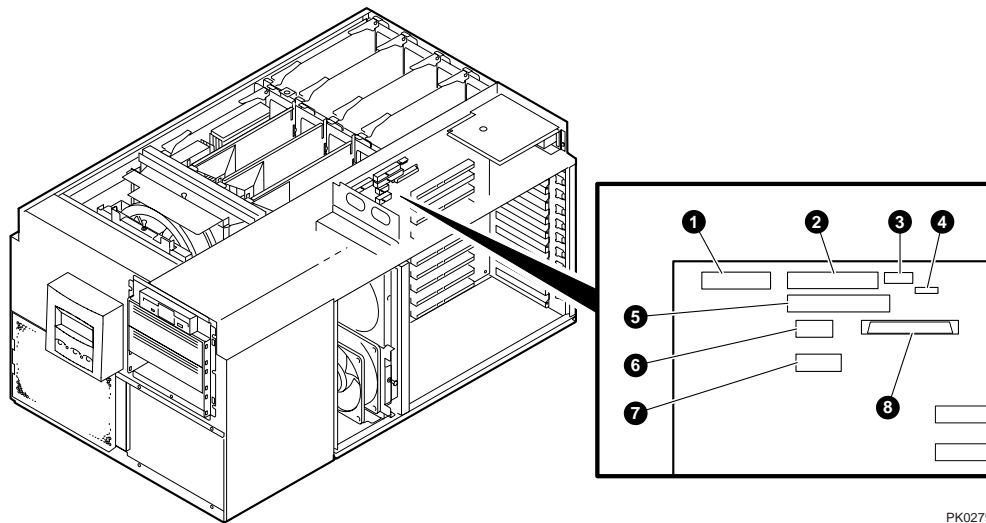


PK0953a

5. Install additional DIMMs (if ordered). Refer to the memory configuration label inside the system card cage cover. Also refer to the following, if necessary:
 - Compaq AlphaServer ES40 Owner's Guide
 - Compaq AlphaServer ES40 DIMM Installation Sheet
6. Install the 8-slot MMBs and secure each MMB to the system backplane with the clips ❶.
7. Replace the system card cage cover and the fan cover.

2.4 Replacing the PCI Backplane

Figure 2-9 Cables Connected to PCI Backplane



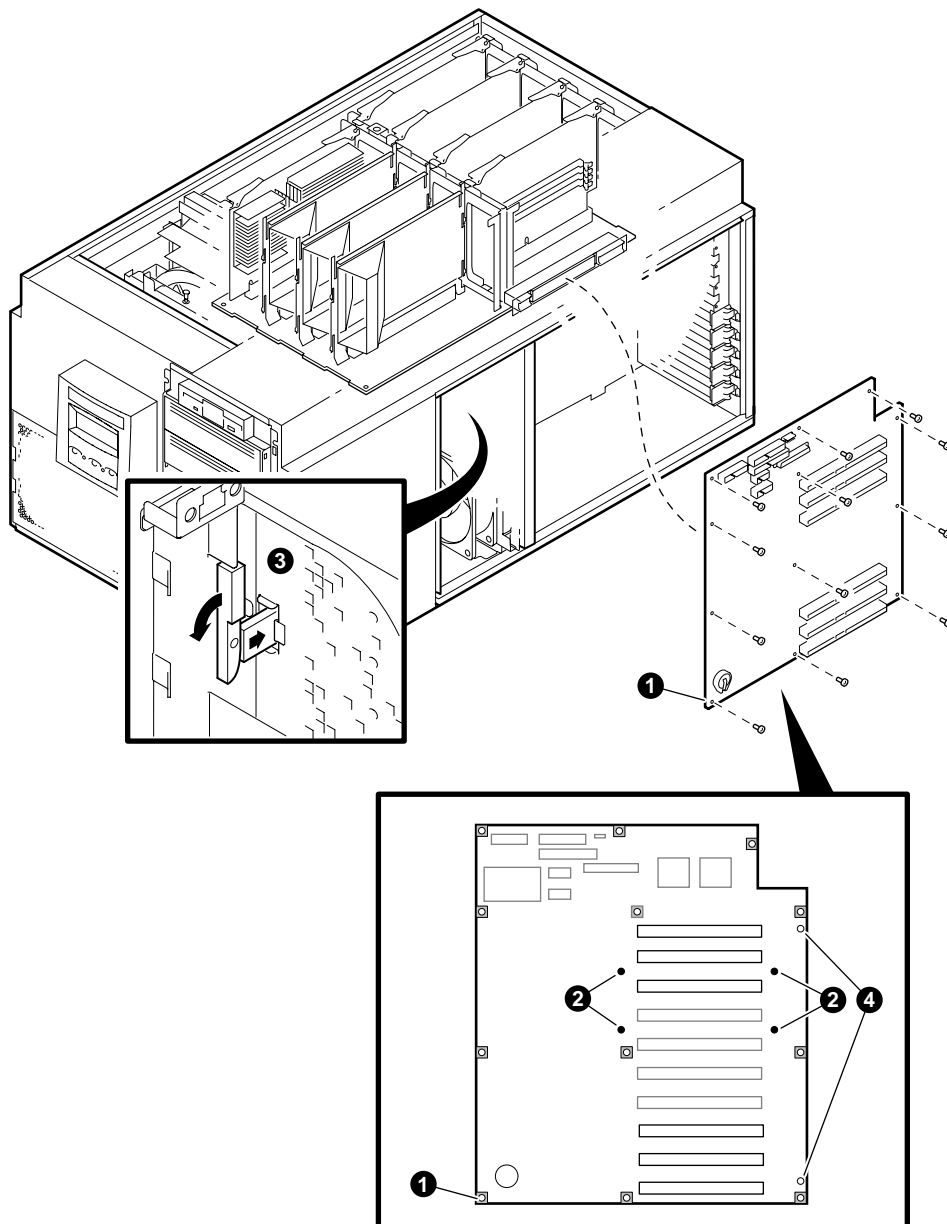
PK0279

Connecting Cable	Connects To:
❶ 17-04785-01	Fans
❷ 17-03970-04	Floppy
❸ 17-04786-01	Cover sensors
❹ 70-31349-01	Speaker
❺ 17-04678-02	CD-ROM
❻ 17-03971-07	OCP
❼ 17-04914-01 (if present)	Storage disk cage
❽ 17-04400-06	I/O controller module

Disconnecting the Cables

1. Remove the cover to the PCI card cage.
2. Record the location of installed PCI cards.
3. Remove all external cables from the PCI bulkheads in the rear of the unit.
Remove internal cables from PCI cards.
4. Unlatch and remove the cards from the card cage.
5. Disconnect cables connected to the PCI backplane. See Figure 2-9.
6. Remove the top fan (pedestal/rack orientation) or left fan (tower orientation). This permits access to an ejector lever needed for removing the PCI backplane.

Figure 2-10 Removing the Six-Slot Backplane



PK0280

Removing the PCI Backplane

CAUTION: *When removing the PCI backplane, be careful not to flex the board. Flexing the board may damage the BGA component connections.*

1. Remove the 12 screws ❶ that secure the PCI backplane to the chassis.
-

CAUTION: *Do not remove the four additional nonwashed screws ❷. Removing them inactivates the built-in mechanism for extracting the PCI backplane from the system.*

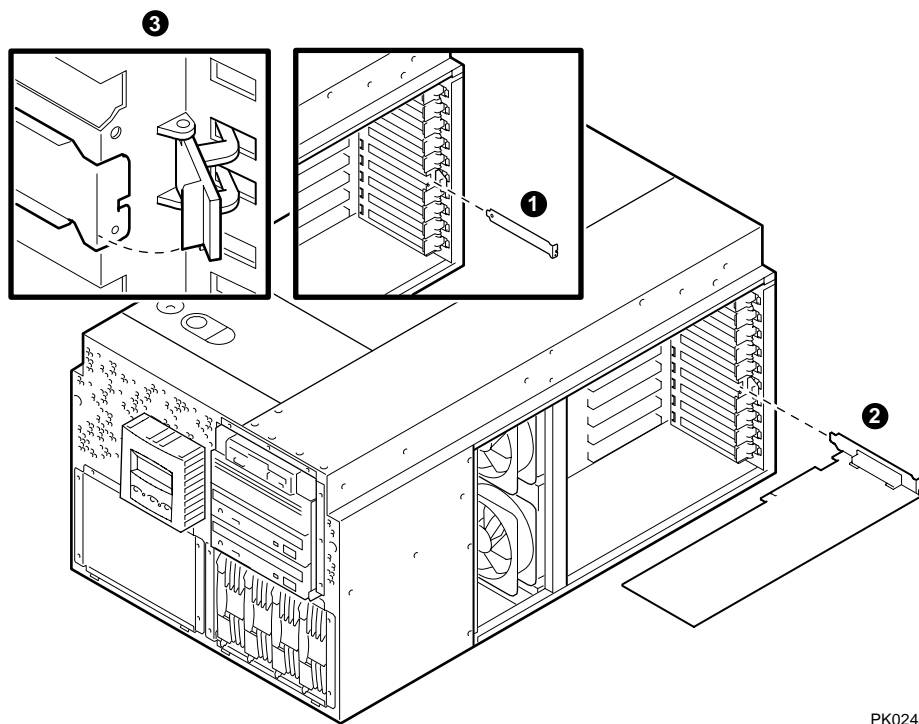
2. Use the ejector lever ❸ in the fan area to separate the PCI backplane from the system motherboard, then lift the backplane out of the chassis.
 3. Align the new (10-slot) backplane on the guide pins ❹, and press the board firmly until it is seated.
-

NOTE: *Seating the PCI backplane requires considerable pressure. When seating the PCI backplane in a cabinet, a second person should brace the chassis to ensure that no excessive stress is placed on the rails.*

4. Insert the 12 screws to secure the new backplane to the chassis.
5. Connect the cables you previously disconnected from the old backplane. See Figure 2-9.

Continued on next page

Figure 2-11 Installing PCI Cards



PK0245

Completing the Upgrade

1. Reinstall and reconnect the PCI cards and install any new PCI cards (Figure 2–11). Remove the bulkhead filler plate ❶ before installing a new card ❷.

NOTE: *Some full-length PCI cards may have extender brackets for installing into ISA/EISA card cages. Remove the extender brackets before installing such a card.*

2. Secure the cards to the card cage with the latch ❸.
3. Replace the fan, the PCI card cage cover, and the enclosure covers.
4. Reconnect the power cords.
5. Reconnect external devices.

2.5 Verifying the Upgrade

Observe the power-up display and enter the SRM show config command to verify the upgrade.

Example 2-1 Show Config Command

```
P00>>> show config
                                     Compaq Computer Corporation
                                     Compaq AlphaServer ES40
.
.
.
.Memory
  Array      Size      Base Address
-----
    0        256Mb     0000000060000000
    1        512Mb     0000000040000000
    2        256Mb     0000000070000000
    3        1024Mb    0000000000000000

      2048 MB of System Memory
Slot  Option                               Hose 0, Bus 0, PCI
  2/0 NCR 53C896                           pke0.7.0.2.0     SCSI Bus ID 7
  2/1 NCR 53C896                           pkf0.7.0.102.0   SCSI Bus ID 7
    4 DEC PowerStorm
    7 Acer Labs M1543C                       Bridge to Bus 1, ISA
   15 Acer Labs M1543C IDE dqa.0.0.15.0
                                     dqb.0.1.15.0
                                     dqa0.0.0.15.0   TOSHIBA CD-ROM XM-6302B
   19 Acer Labs M1543C USB

      Option                               Hose 0, Bus 1, ISA
      Floppy                               dva0.0.0.1000.0

Slot  Option                               Hose 1, Bus 0, PCI
    1 NCR 53C895                           pka0.7.0.1.1     SCSI Bus ID 7
                                     dka0.0.0.1.1     RZ2DD-LS
                                     dka100.1.0.1.1   RZ2DD-LS
                                     dka200.2.0.1.1   RZ1CB-CS
    3 NCR 53C810                           pkb0.7.0.3.1     SCSI Bus ID 7
                                     dkb0.0.0.3.1     RZ25
    4 DE500-BA Network Con ewa0.0.0.4.1     00-00-F8-09-90-FF
    6 DECchip 21152-AA                       Bridge to Bus 2, PCI

Slot  Option                               Hose 1, Bus 2, PCI
    0 NCR 53C875                           pkc0.7.0.2000.1   SCSI Bus ID 7
    1 NCR 53C875                           pkd0.7.0.2001.1   SCSI Bus ID 7
    2 DE500-AA Network Con ewb0.0.0.2002.1   00-06-2B-00-25-5B
P00>>>
```

Tru64 UNIX and OpenVMS

1. Power up the system to the SRM console. Observe the power-up displays for error messages, which are enclosed by three asterisks (***). For example, if there is a problem with a DIMM, you might get a message such as the following:

```
*** Error - DIMM 6 on MMB 0 failed powerup diagnostics ***
```

If the console does not come up, check the SROM messages on the OCP display. A PCI err message might indicate a loose PCI connector.

2. At the P00>>> prompt, enter the **show config** command. Check that all of the PCI options you installed are listed in the display and that the total system memory is the amount of memory you installed.

Windows NT

1. Power up the system to the AlphaBIOS console.
2. From the AlphaBIOS startup screen, press **F2** to enter Setup.
3. From the Setup screen, select **Display System Configuration**.
4. From the Display System Configuration Screen, select **PCI Configuration**. Make sure that all the options you installed are listed.
5. Press **ESC** to exit the PCI Configuration screen and return to the Display System Configuration screen.
6. At the Display System Configuration screen, select **Memory Configuration**. Make sure the total amount of memory is the amount of memory you installed.

