



EK-H7899-IN. A01

POWER SUPPLY INSTALLATION CARD

Use this card as a quick reference to install H7899-AA 675 W redundant power supply option in an AlphaServer DS20 system.

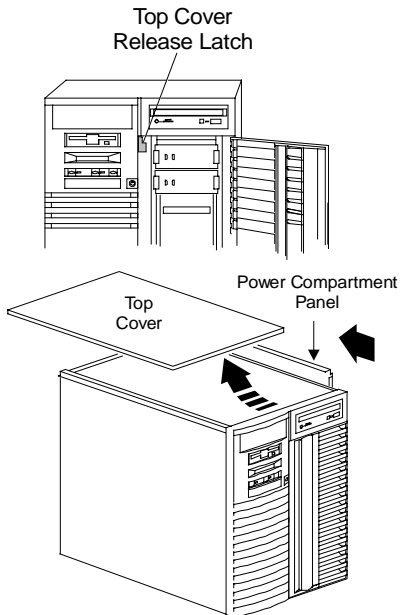
Overview

- Open the pedestal cabinet.
- Remove the fan from the power supply location.
- Install the power supply option.
- Verify the installation.

Open the Pedestal Cabinet

1. Shut down the operating system and power down the system.
2. Unplug the power cord.
3. Remove the covers to gain access to the power compartment. See Figure 1.
 - a. Unlock and open the front door.
 - b. Push the top cover latch down to release the latch.
 - c. Using the groove at the rear of the top cover, pull it back about two inches, and lift it off.
 - d. Pull the power compartment panel back and lift it away from the cabinet.

Figure 1 Opening the Pedestal Cabinet

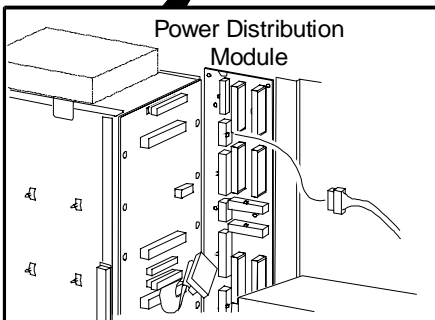
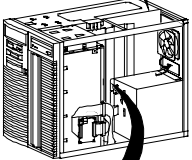
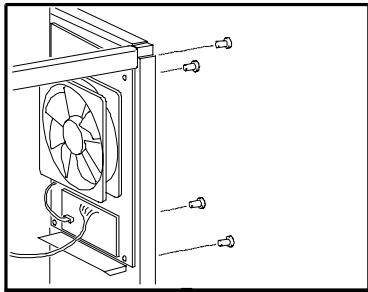


PK1478-98

Fan Tray Removal

1. Unplug the fan cable from the power transport module. See Figure 2.
2. From the rear, remove the four screws holding the fan tray in place.
3. Remove the fan.

Figure 2 Fan Tray Removal



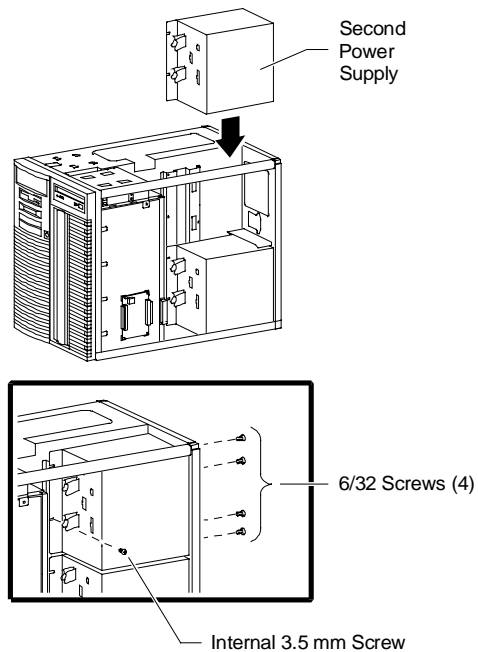
PK1481 - 98

Install the Power Supply

Refer to Figure 3.

1. Remove the internal screw attached to the frame inside the power compartment.
2. Remove the two cables tie-wrapped to the unused power supply screw hole for the upper power supply.
3. From above the cabinet, place the power supply into the system above the power supply already there.
4. Secure the supply to the cabinet frame using the four screws you took out when you removed the fan.
5. Secure the supply to the internal frame using the screw you removed in step 1.

Figure 3 Installing the Power Supply



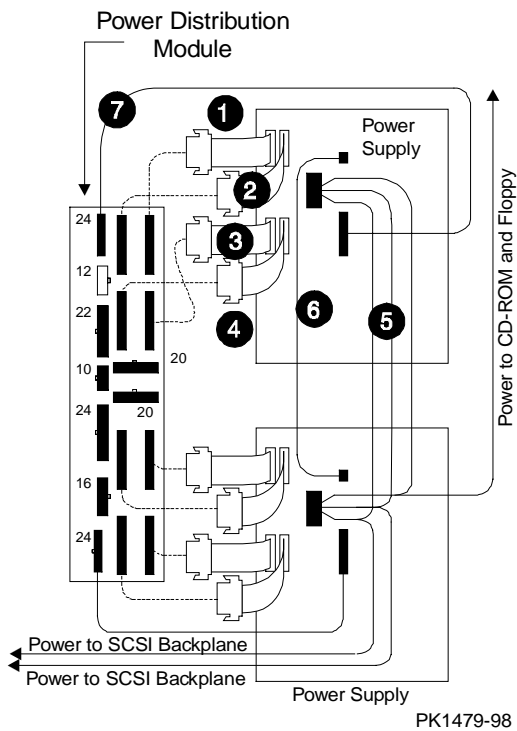
PK1483-98

Cabling the Power Supply

Figure 4 shows connections from the second power supply to the Power Distribution Module and to the first supply. The cables marked ❶ through ❷ are attached to the power supply. The cable marked ❸ is part of the power harness already in the machine. The cable marked ❹ (PN 17-04532-01) and the cable marked ❺ (PN 17-04735-01) are tie-wrapped to the unused power supply screw hole for the upper power supply.

1. Connect all cables as shown in the diagram.
2. Connect the power cord provided in the option kit to the power supply and to the power source.

Figure 4 Cabling Diagram



Close up Pedestal Cabinet

1. Reverse the procedure on page 2.

Verification – DIGITAL UNIX and OpenVMS Systems

- Issue the **show power** command to display the status of both power supplies.

Verification – Windows NT Systems

1. Five seconds after you turn the machine on, press the halt button. This should bring you to the SRM console.
2. Issue the **show power** command to display the status of the new power supply.
3. To bring up Windows NT, push the reset button on the system control panel.

Part numbers for options can be found on the Internet. Using a Web browser, follow links to the appropriate AlphaServer supported options list from the URL:

<http://www.digital.com/info/alphaserver/products.html>