

AlphaServer DS10L  

---

Illustrated Parts Breakdown

Order Number: EK-DS10L-IP. A01

**Compaq Computer Corporation  
Marlboro, Massachusetts**

Compaq Computer Corporation reserves the right, without notice, to make substitutions and modifications in the specifications of products documented in this manual and further reserves the right to withdraw any of these products from the market without notice.

Compaq Computer Corporation is not responsible for errors which may appear in the technical description (including illustrations and photographs) of the products covered by this manual.

None of the descriptions contained in this manual imply the granting of any license whatsoever to make, use or sell equipment constructed in accordance therewith.

Restricted Rights: Use, duplication or disclosure by the U.S. Government is subject to restrictions as set forth in subparagraph (c) (1) (ii) of the Rights in Technical Data and Computer Software clause at DFARS 252.227-2713.

Copyright ©2000 by Compaq Computer Corporation. All rights reserved.  
Printed in U.S.A.

Compaq, the Compaq logo, DEC, Deskpro, DIGITAL, OpenVMS, Proliant and SmartStart registered in United States Patent and Trademark Office.

The following are third party trademarks:

IBM is a registered trademark of International Business Machines, Inc.

Microsoft and Windows NT are registered trademarks of Microsoft Corporation.

UNIX is a registered trademark in the United States and other countries, licensed exclusively through X/Open Company Ltd.

### **Reader's Comments**

Compaq welcomes your comments on this manual.

You can send your comments to Compaq at the address below:

Compaq Computer Corporation  
High Performance Server Business Unit  
200 Forest Street  
MRO1-3/D3  
Marlboro, MA 01752-3085

Please reference EK-DS10L-IP. A01 in your correspondence.

# ILLUSTRATED PARTS BREAKDOWN

# AlphaServer DS10L

## ILLUSTRATED PARTS BREAKDOWN (IPB)

The IPB is used to identify a part and its location in a hardware product. The document references specific item numbers in the associated parts list.

### HOW TO USE THE IPB

1. Locate the figure containing the item of interest.
2. Locate the number (callout) of the item of interest.
3. Locate that item number in the associated parts list.

### FORMAT

Each IPB is generally organized based on its first figure. All other assemblies and subassemblies are referenced from this figure. Each figure contains numeric callouts of all major parts (items).

### PARTS LIST

Each parts list contains the following:

**Figure and Item No.** – Lists the figure number and its referenced numeric callout

**Description** – Presents the name and a brief description of the item. A single asterisk (\*) preceding the description denotes item is a

subassembly to its referenced figure. A double asterisk (\*\*) preceding the description indicates that this item is subordinate to the preceding single asterisk item.

**DIGITAL Part No.** – Lists the DIGITAL/vendor part number. The letter in the column heading indicates the current revision level of the Engineering Drawing for the referenced figure.

**ECO Cut-In** – Lists the top assembly drawing number and revision level at first printing. All additional revisions to an item are listed in this column.

**Used On Code** – Lists letters referring to the product variation assigned in Figure 1. When this column is blank, the item is used in all variations.

**Ref Fig No.** – Lists a cross reference between figures within the IPB.

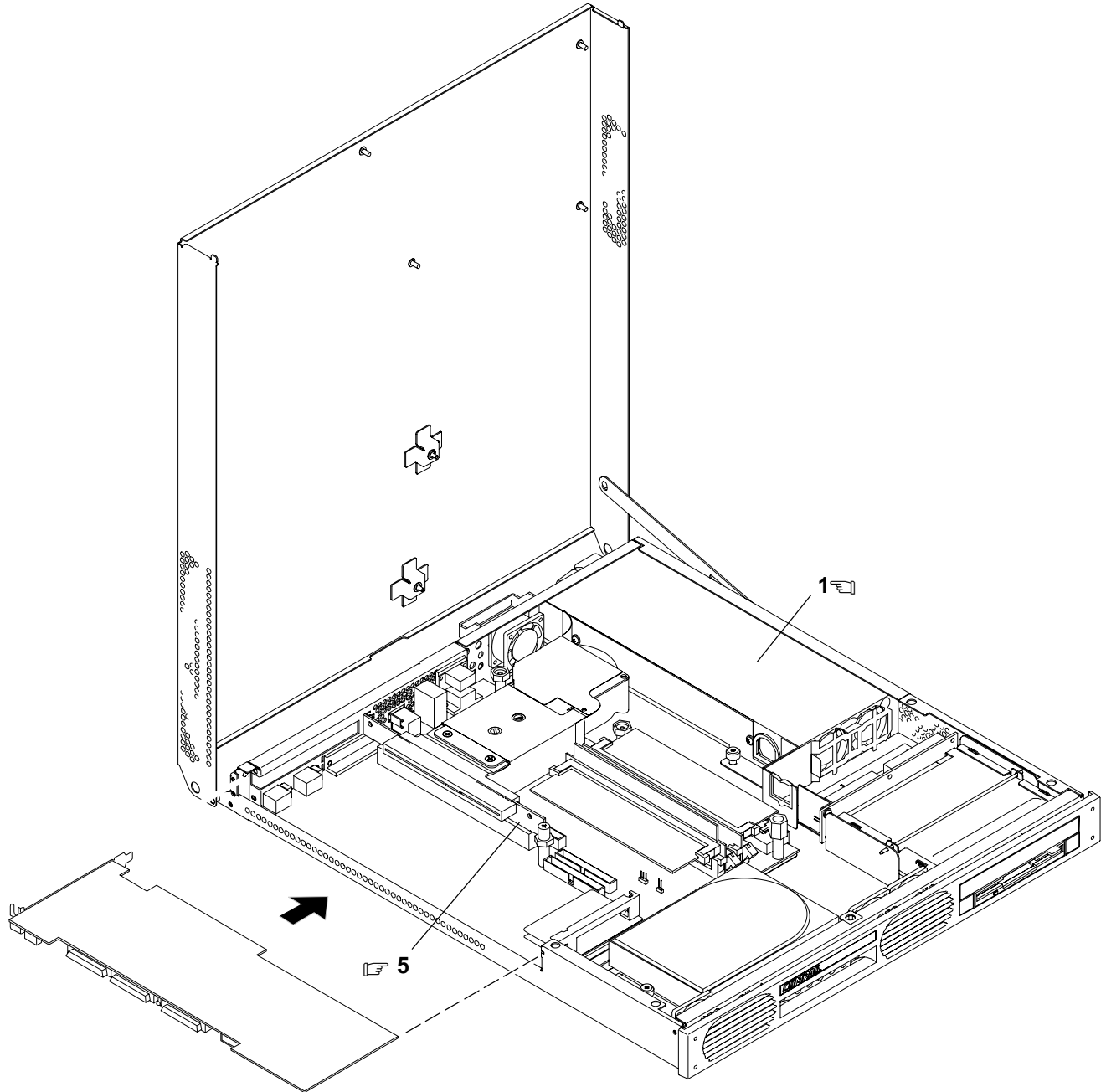
### PART NUMBER/PART DESCRIPTION INDEX SECTION

Lists items by part number numerically, and description alphabetically. Items are also referenced to a location within the IPB by figure and item number.

ECO/REVISION HISTORY					OTHER IPB MANUALS REFERENCED
FIGURE NO.	ASSEMBLY	INITIAL LEVEL	CURRENT LEVEL	PRINTING DATE	
1	3X71AAA	00002	00002	JULY 2000	N/A
1	3X71BAA	00000	00000		
2	H9A10/11/15 M–Series Cabs w/Common Components				
3	AlphaServer DS10L In H9A11 M–Series Cabs				
4	AlphaServer DS10L In H9A10 M–Series Cabs				
5	AlphaServer DS10L In H9A15 M–Series Cabs				

INDICATES FRU LEVEL PARTS.

PARTS LIST

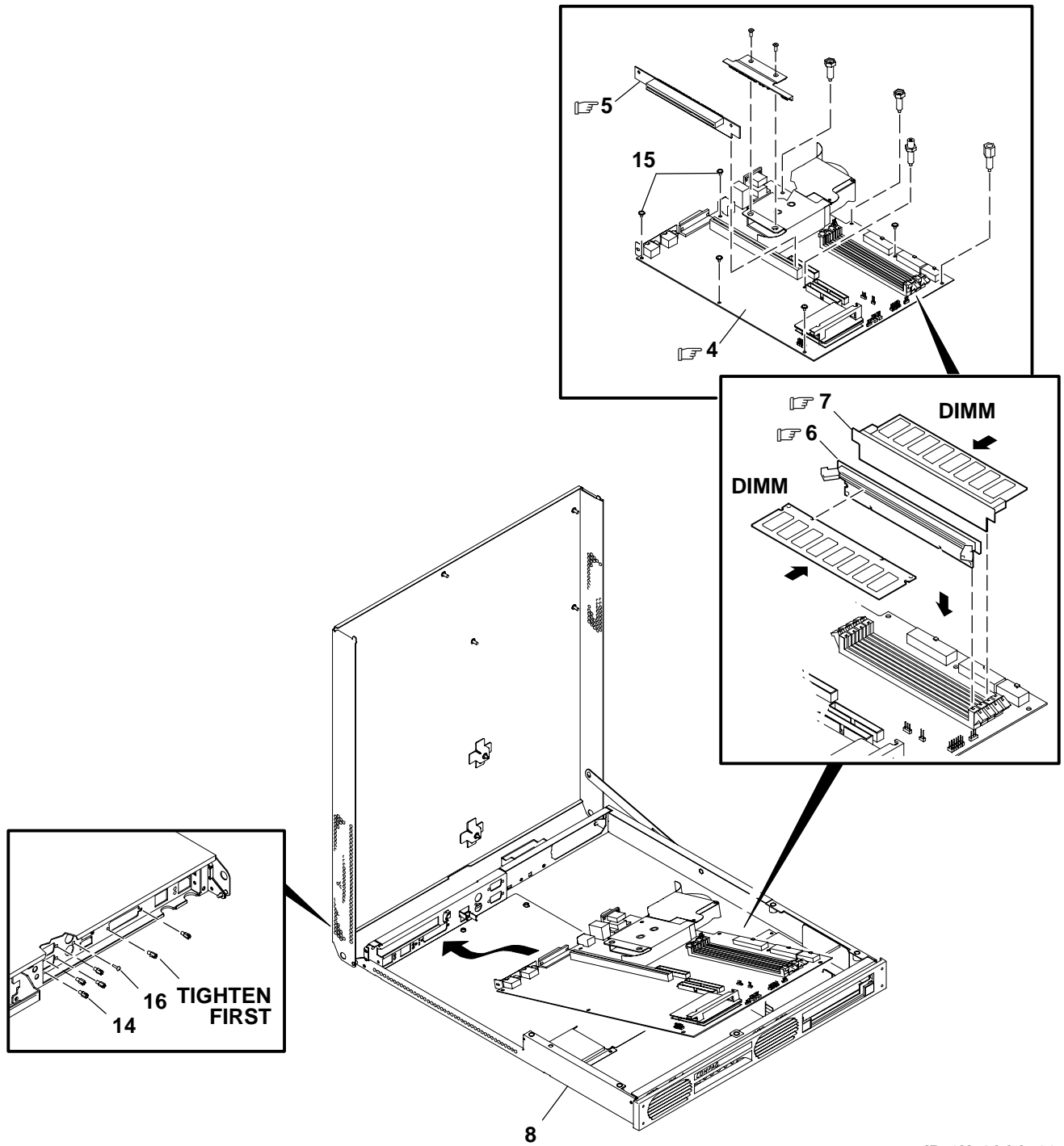


IP-3X71BAA-01

Figure 1. Kernel Assembly (Sheet 1 of 11)

  INDICATES FRU LEVEL PARTS.

**PARTS LIST** 

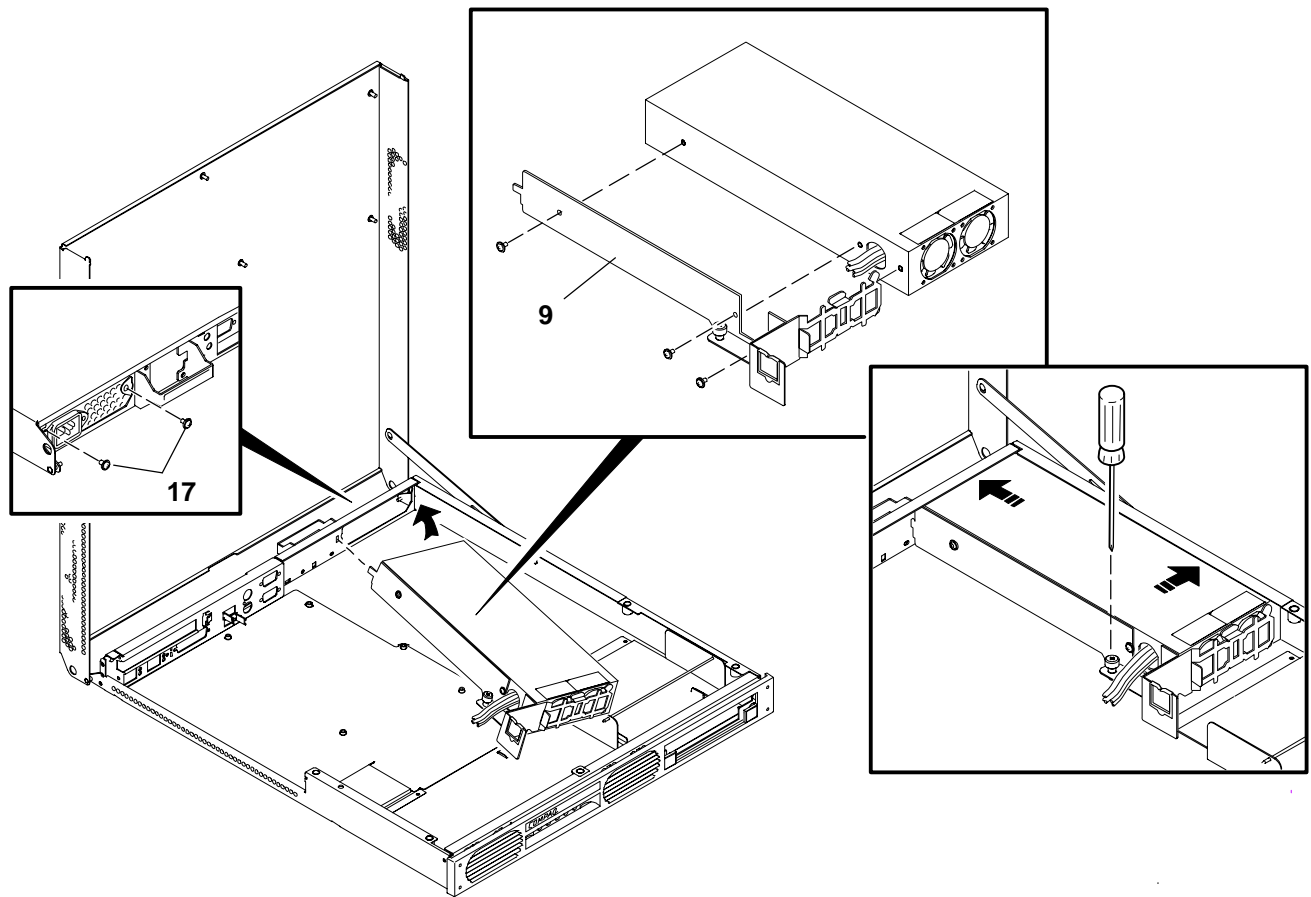


IP-3X71AAA-02

**Figure 1. Kernel Assembly (Sheet 2 of 11)**

INDICATES FRU LEVEL PARTS.

PARTS LIST

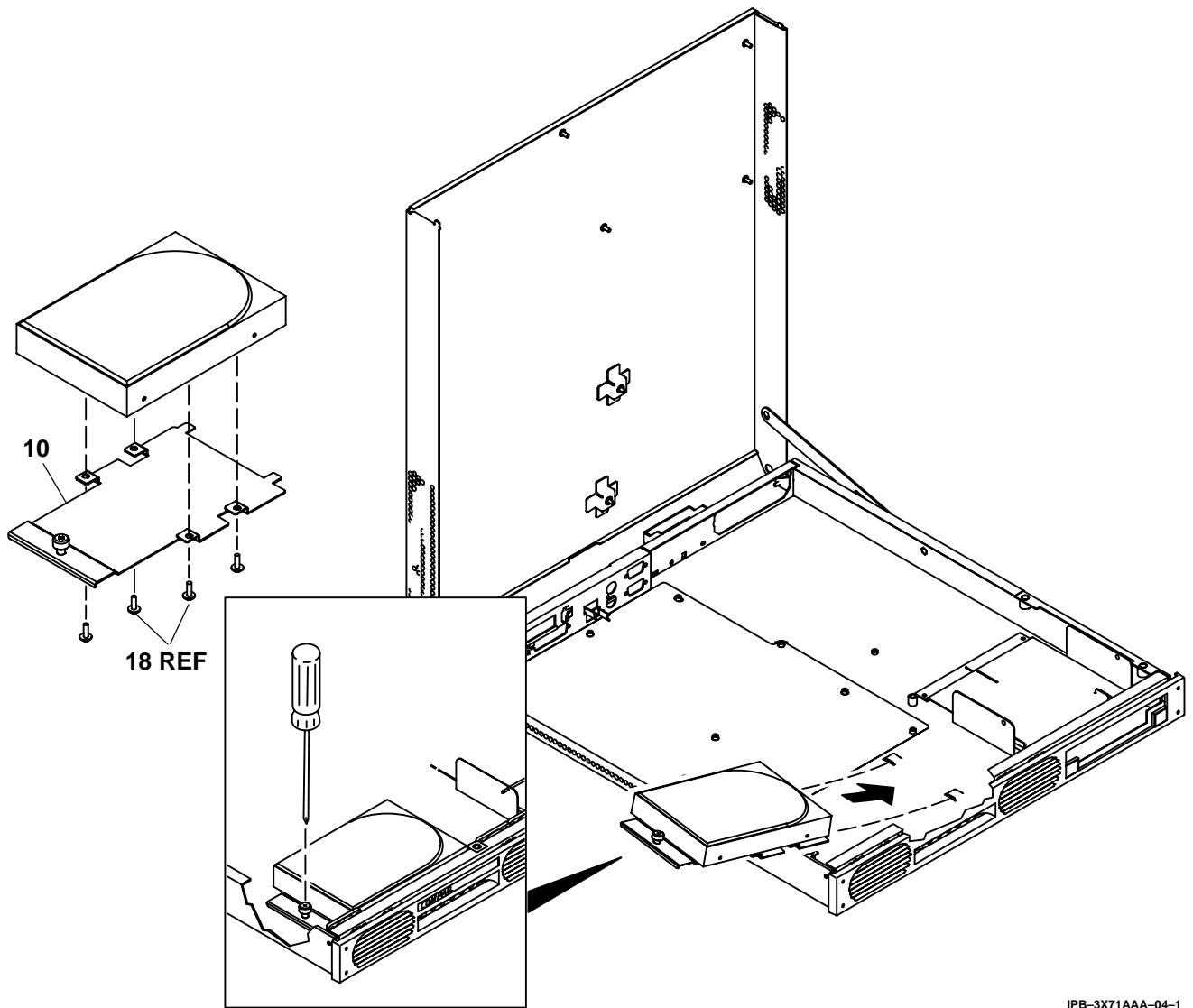


IP-3X71BAA-03

Figure 1. Kernel Assembly (Sheet 3 of 11)

  INDICATES FRU LEVEL PARTS.

PARTS LIST 



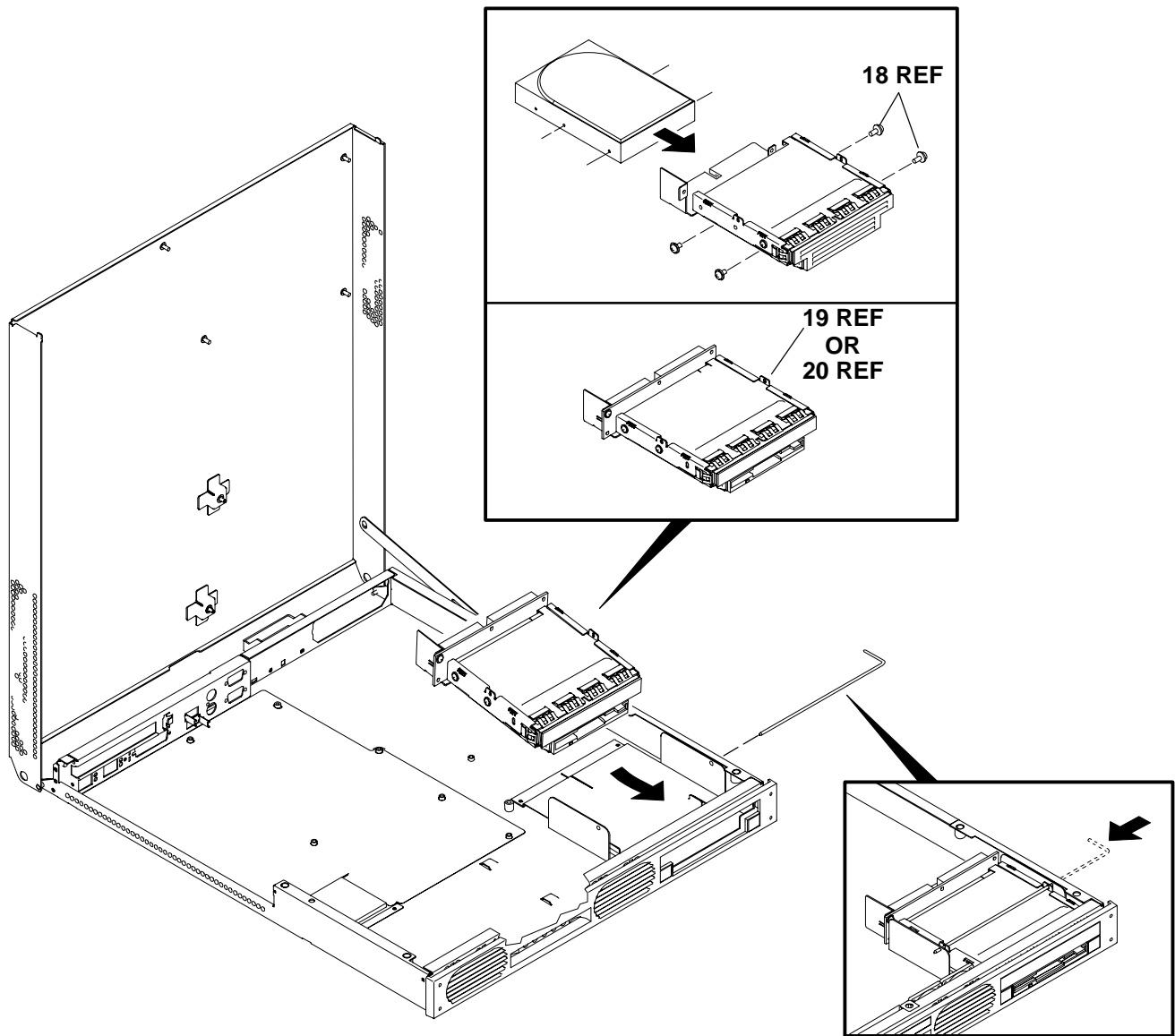
IPB-3X71AAA-04-1

IPB-3X71AAA-04-1

**Figure 1. Kernel Assembly (Sheet 4 of 11)**

INDICATES FRU LEVEL PARTS.

PARTS LIST

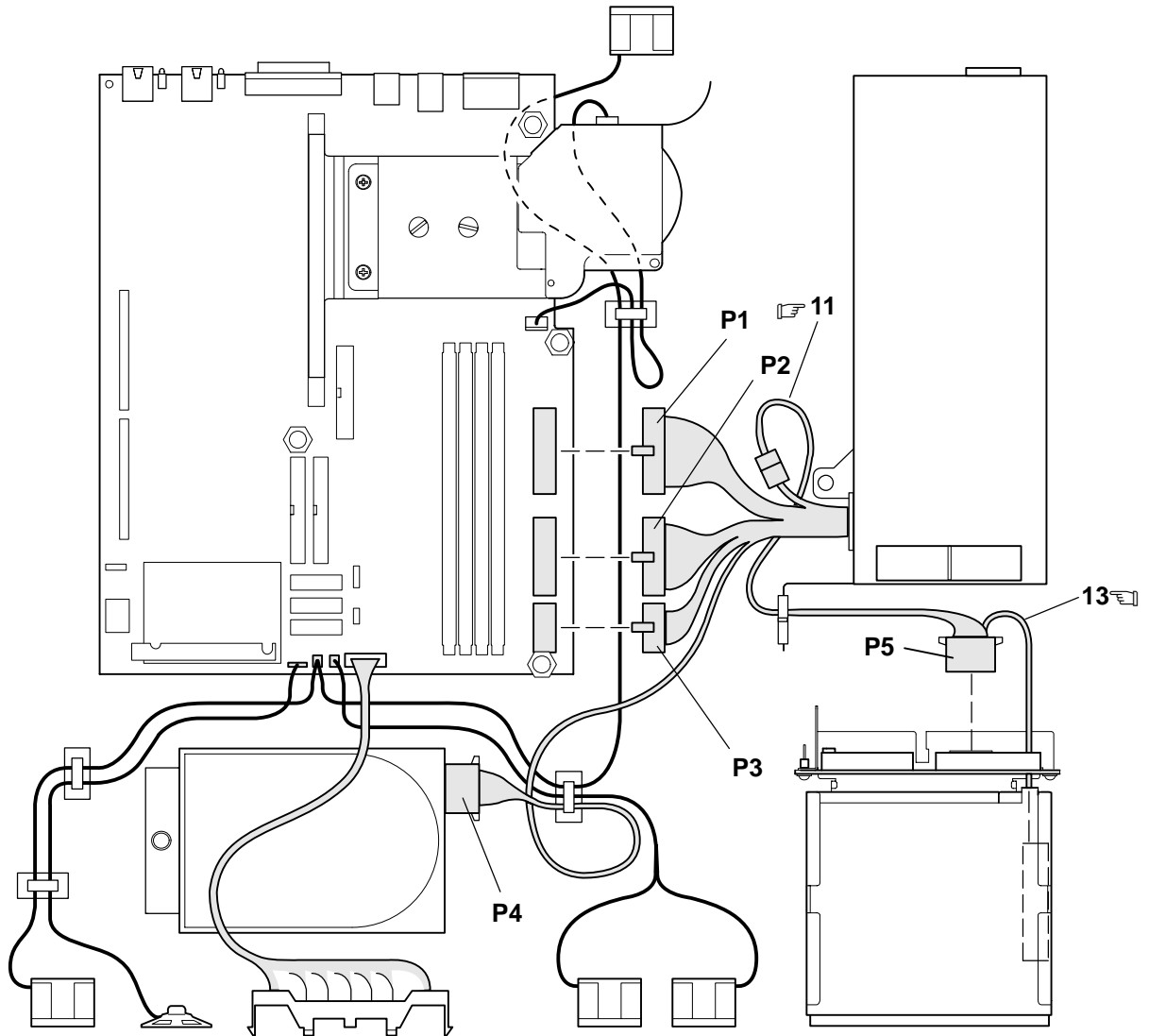


IPB-3X71AAA-04-2

Figure 1. Kernel Assembly (Sheet 5 of 11)



### POWER CABLING



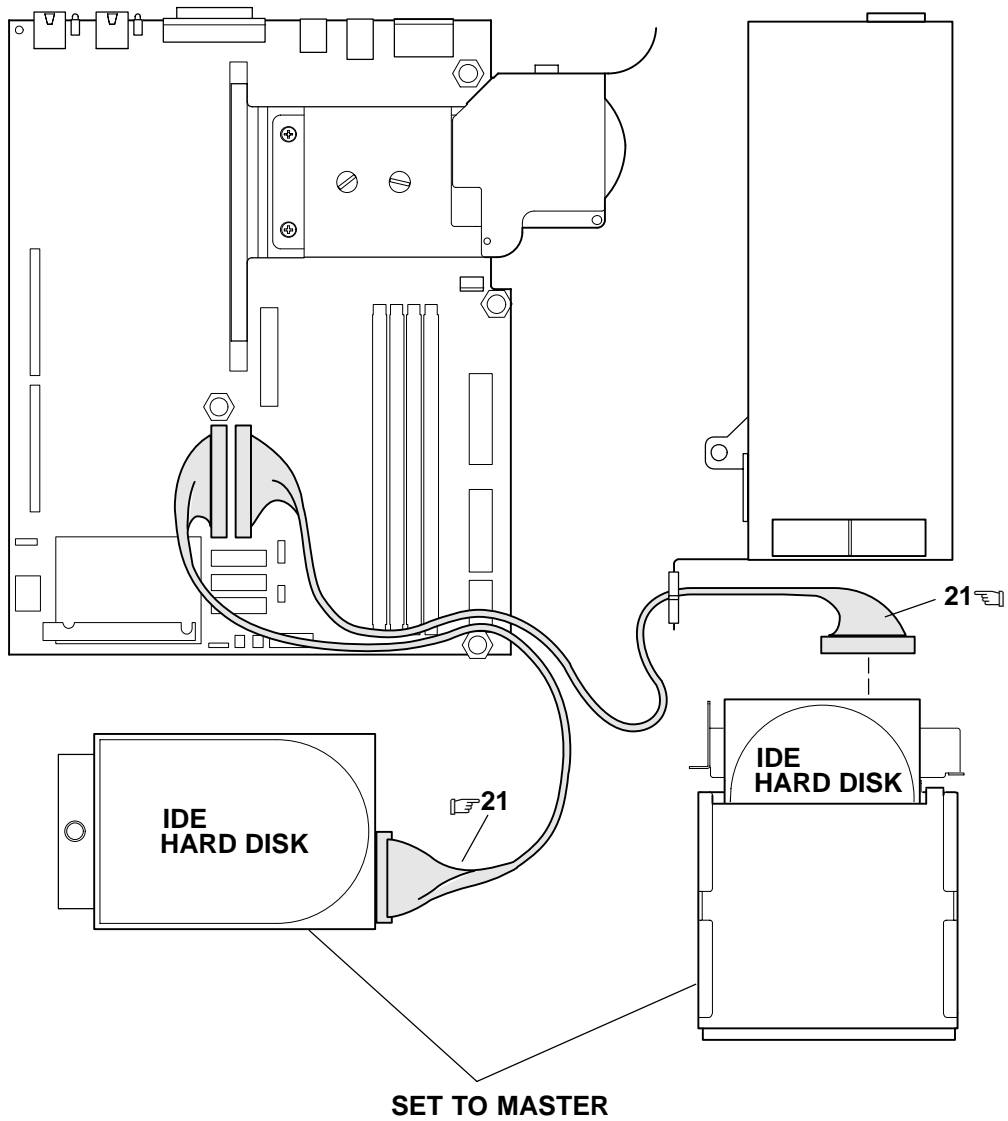
IP-3X71AAA-05

Figure 1. Kernel Assembly (Sheet 6 of 11)

  INDICATES FRU LEVEL PARTS.

PARTS LIST 

### 2 IDE DISKS CONFIGURATION



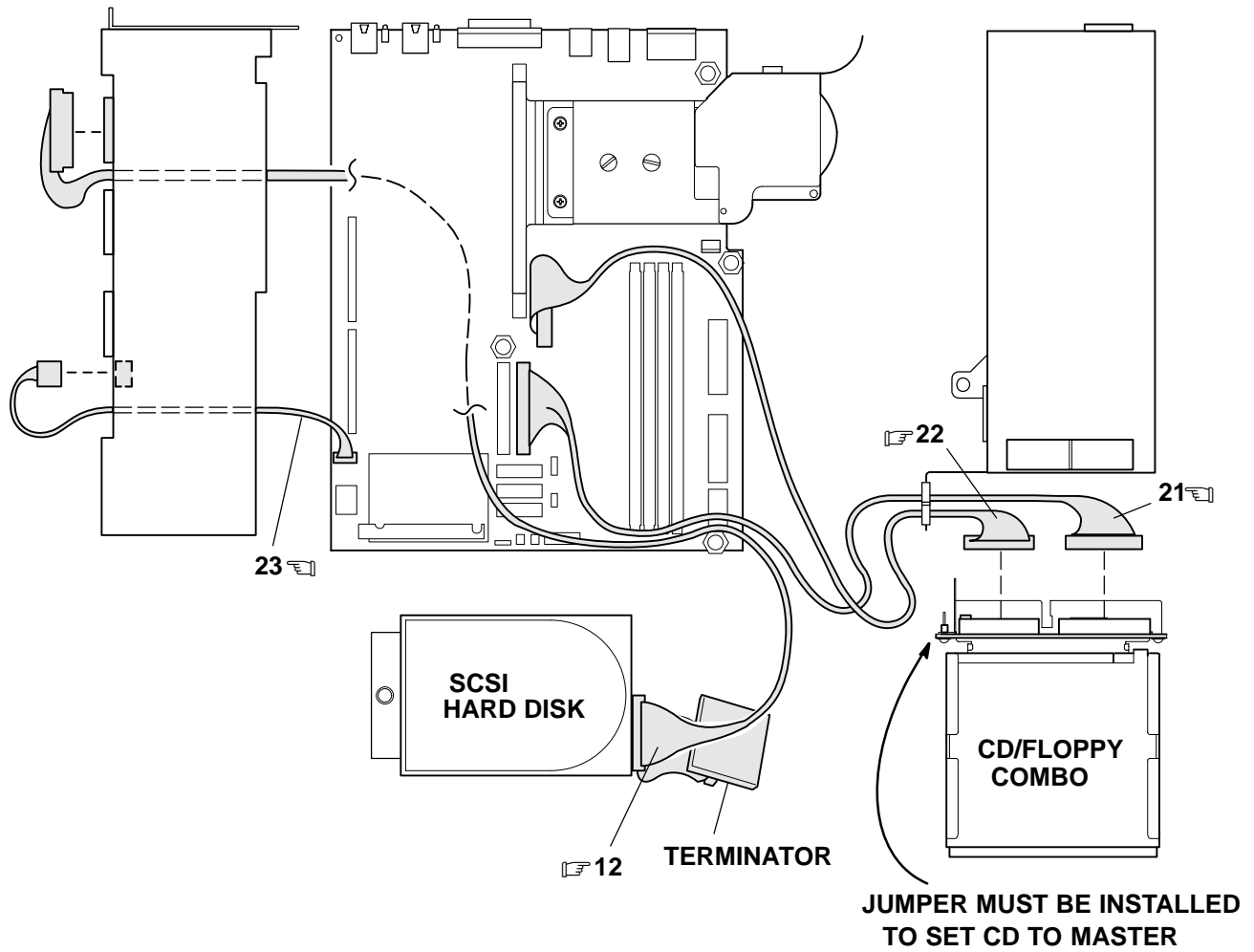
IP-3X71AAA-06

**Figure 1. Kernel Assembly (Sheet 7 of 11)**

INDICATES FRU LEVEL PARTS.

PARTS LIST

### SCSI + CD/FLOPPY COMBO CONFIGURATION

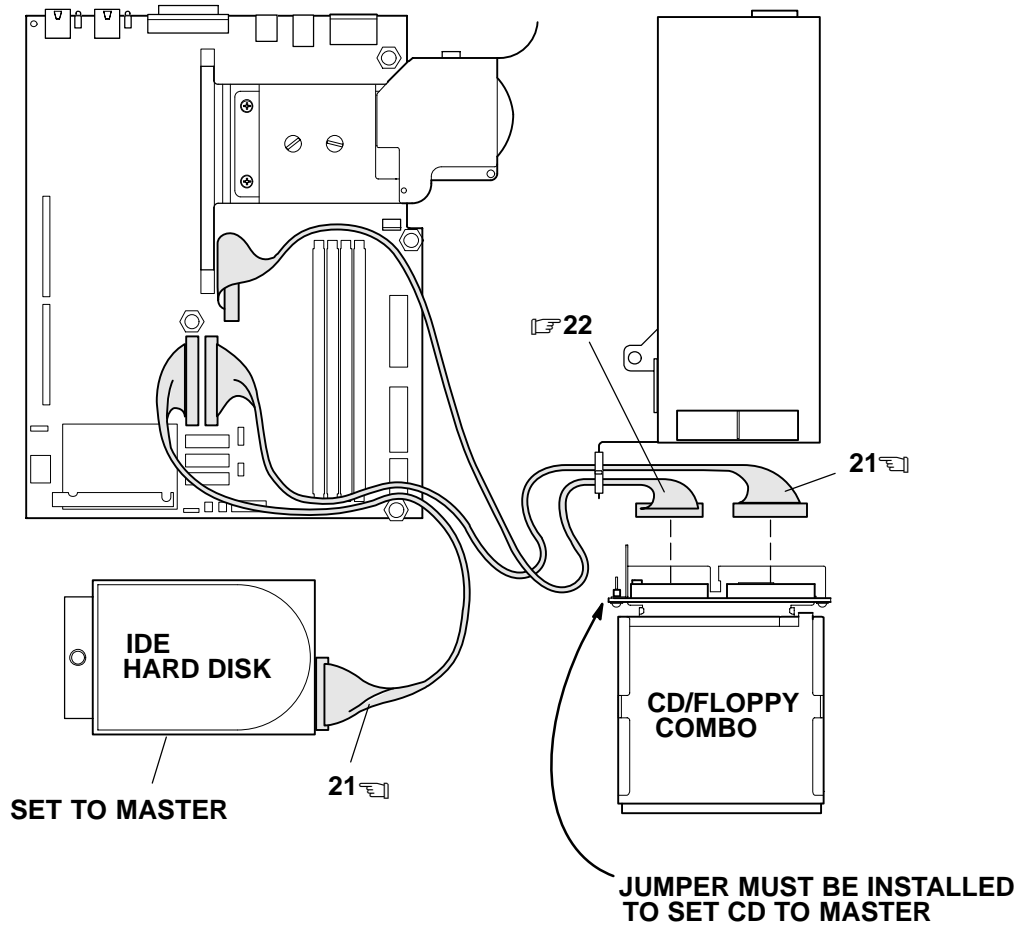


IP-3X71AAA-06

Figure 1. Kernel Assembly (Sheet 8 of 11)



### IDE HARD DISK + CD/FLOPPY COMBO CONFIGURATION

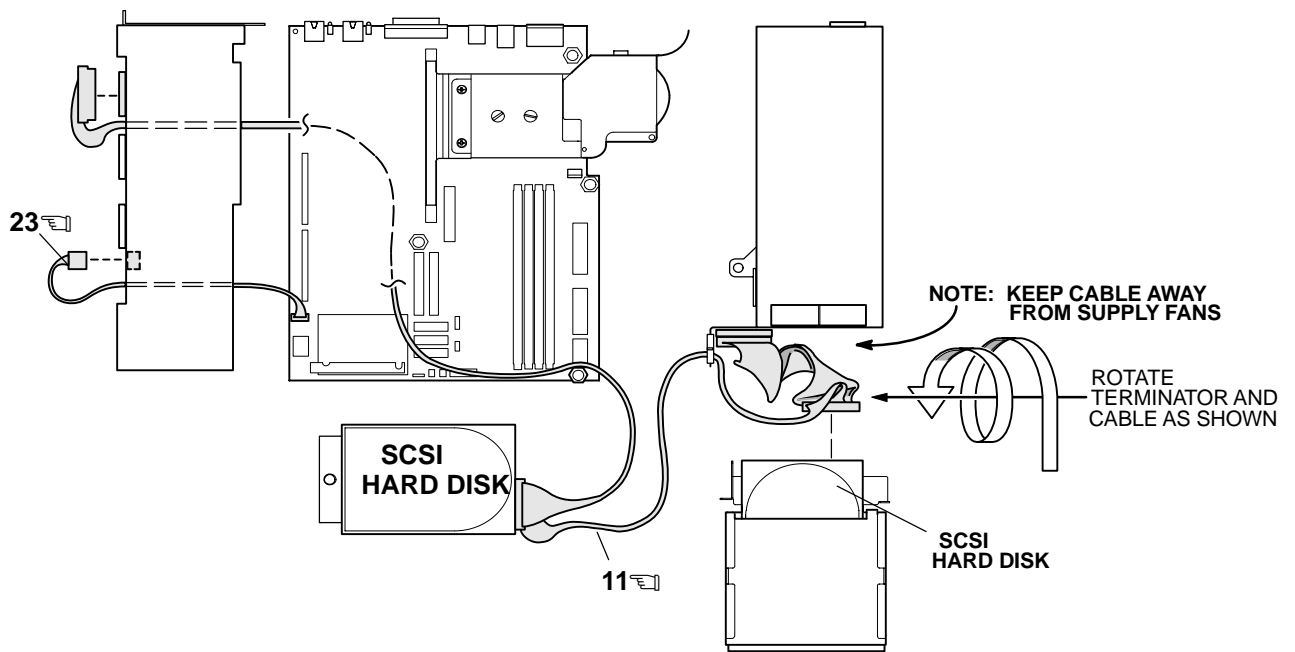


IP-3X71AAA-07

Figure 1. Kernel Assembly (Sheet 9 of 11)



### 2 SCSI CONFIGURATION

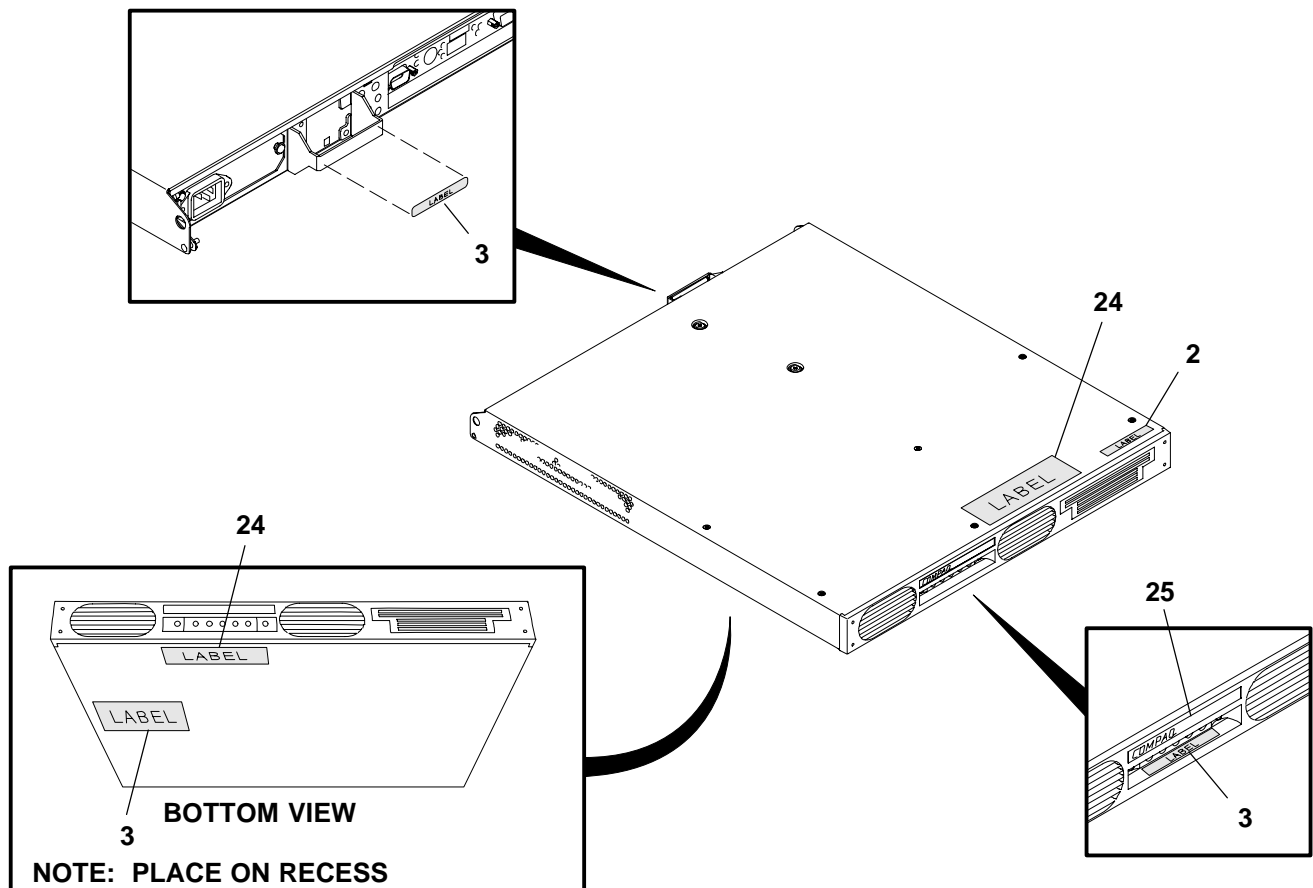


IP-3X71AAA-07

Figure 1. Kernel Assembly (Sheet 10 of 11)

INDICATES FRU LEVEL PARTS.

PARTS LIST



IP-3X71AAA-08

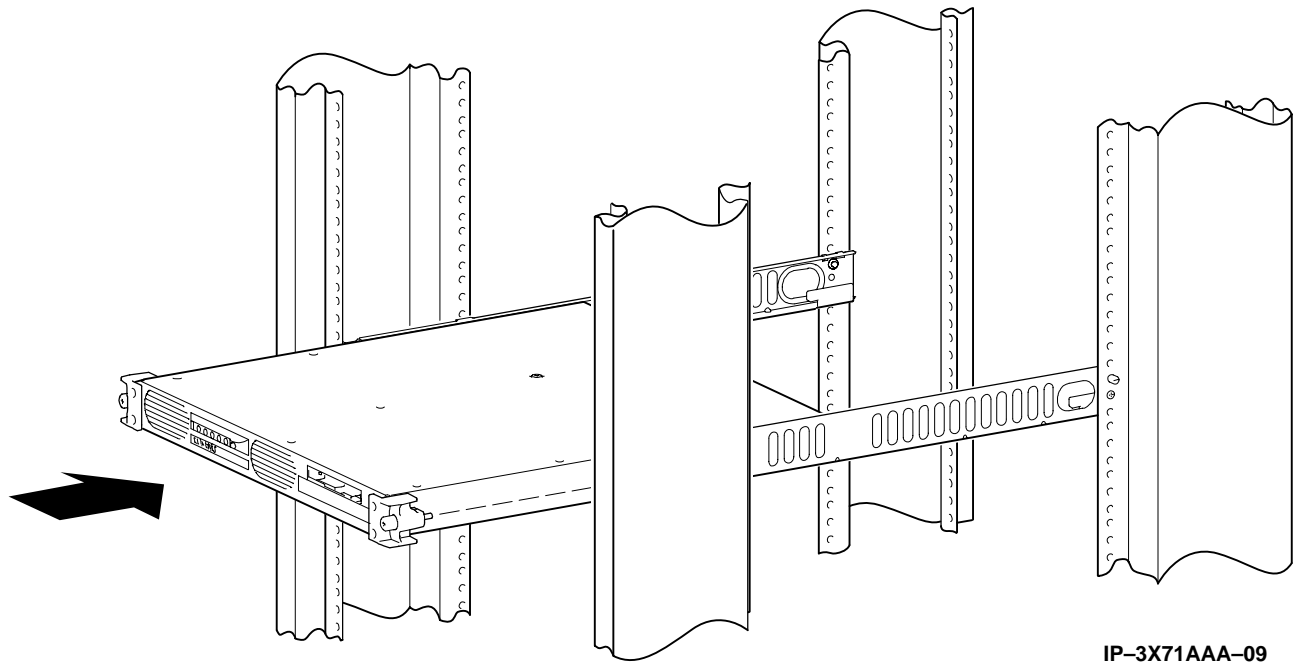
Figure 1. Kernel Assembly (Sheet 11 of 11)

FIG.& ITEM NO.	DESCRIPTION	DIGITAL PART NO.	ECO CUT-IN	USED ON CODE	REF FIG NO.
1-	ALPHASERVER DS10L KERNEL (466 MHZ) ALPHASERVER DS10L KERNEL (600 MHZ)	3X-71AAA-AA 3X-71BAA-AA		A B	
☞1	*Power Supply, 150W	30-56126-01			
2	*Label, Alpha Powered	36-49200-03			
3	*Label, Blank	36-60168-04			
☞4	*Module, CPU Mother Board	54-30074-21		A	
	*Module, CPU Mother Board	54-30074-32		B	
☞5	*Module, One Slot Riser	54-30242-01			
☞6	*Module, Left DIMM Riser	54-30244-01			
☞7	*Module, Right DIMM Riser	54-30246-01			
8	*CHASSIS ASSEMBLY	70-40324-02			
9	**Power Supply Mounting Bracket	74-60799-01			
10	**HDD Bracket Assembly	70-40328-01			
☞11	*Cable Dual SCSI	17-04983-01			
☞12	*Cable, Single Drop SCSI	17-04983-02			
☞13	*Harness, 6 Cond., 2 Connector	17-05017-01			
14	*Screw, Lock	90-08451-05			
15	*Screw, Pan Hd., M3 x 6mm	90-09984-20			
16	*Screw, Threaded Flat Hd., 2-28 x .187	90-10421-01			
17	*Screw, Pan Hd., M3 x 8mm	90-09984-30			
18	*Screw, Pan Hd., 6-32 x .25 (REF.)	90-09984-28		B	
19	*CD/Floppy/HDD Bracket Assembly Empty STD w/Chassis (REF)	70-40467-01		B	
20	*CD/Floppy/HDD Bracket Assembly w/Floppy CD Option (REF)	70-40467-02		B	
☞21	*Cable, CD-ROM IDE	17-04803-02			
☞22	*Cable, Floppy	17-03970-03			
☞23	*Cable, Disk Activity	17-04472-01			
24	*Label, "Caution System Not Tethered"	36-50844-01			
25	*Nameplate, AlphaServer DS10L	74-60801-02			

<b>AlphaServer DS10L RACK MOUNT KITS</b>	
<b>Description</b>	<b>Part Number</b>
H9A10/11/15 Single Rack Kit	3X-PBX01-BB
H9A10/11/15 Quad Rack Kit	3X-PBX01-BC
PDU/Fan/Cable Kit (North America)	3X-H7210-AA
PDU/Fan/Cable Kit (Europe)	3X-H7210-AB
PDU/Fan/Cable Kit (Japan)	3X-H7210-AC
Fan/Cable Kit (North America)	3X-H7210-BA
Fan/Cable Kit (Europe)	3X-H7210-BB
Fan/Cable Kit (Japan)	3X-H7210-BC

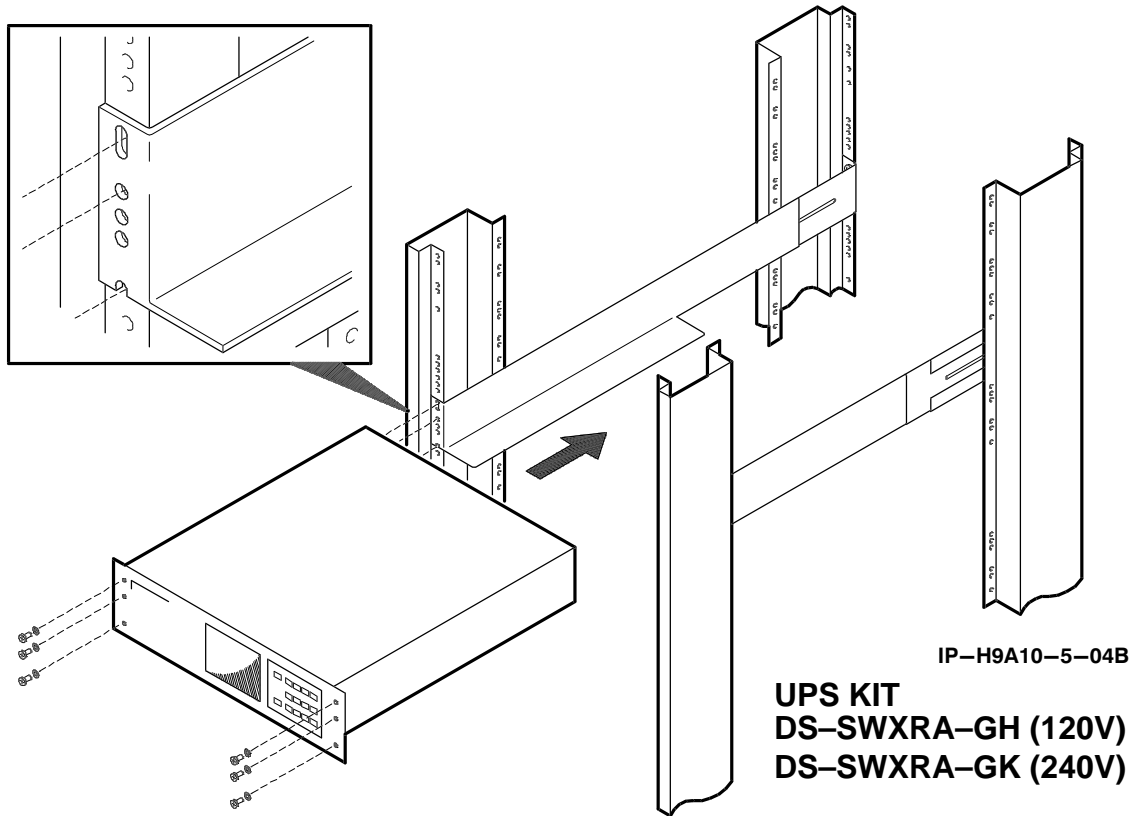
<b>H9A10/11/15 M-SERIES CABINETS COMPONENT HEIGHTS (1U = 1.75 Inches)</b>	
<b>Component</b>	<b>Height (U's)</b>
AlphaServer DS10L System Box	1U
Flushing Fan	4U*
Power Distribution Unit	1U*
RAID Array 3000 Controller	4U
RAID Array 7000 (BA370)**	20U
Storage Shelf	4U
UPS	2U
*Rear Mount Units, These Do No Affect The Total U Count Of Equipment To Be Installed In Rack.	
**Used On H9A10 and H9A15 Cabinets Only.	

**Figure 2. H9A10/11/15 Cabs w/Common Components (Sheet 1 of 4)**



IP-3X71AAA-09

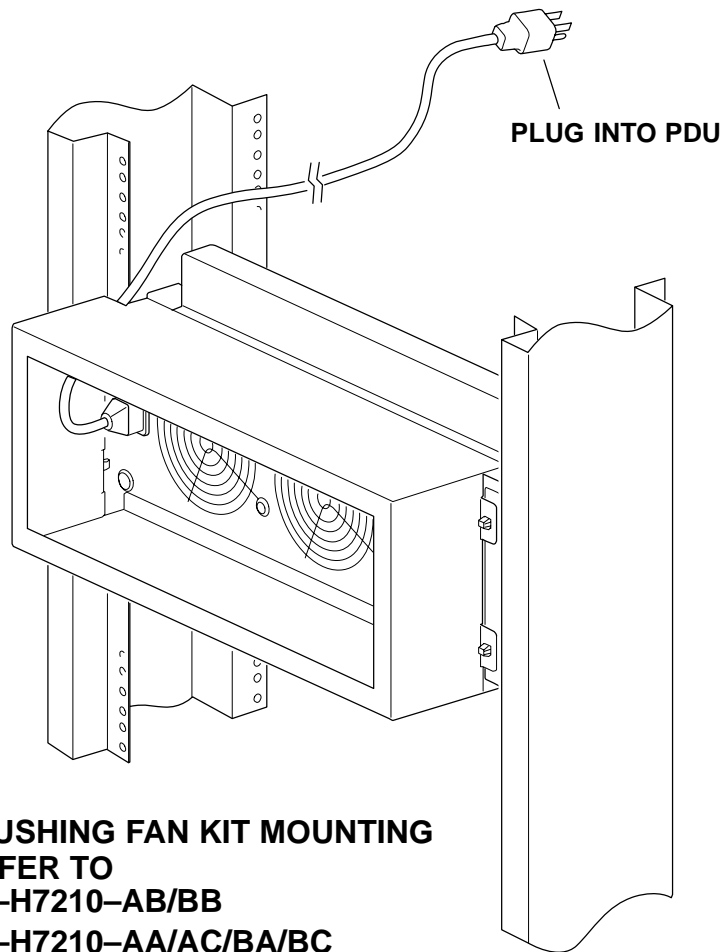
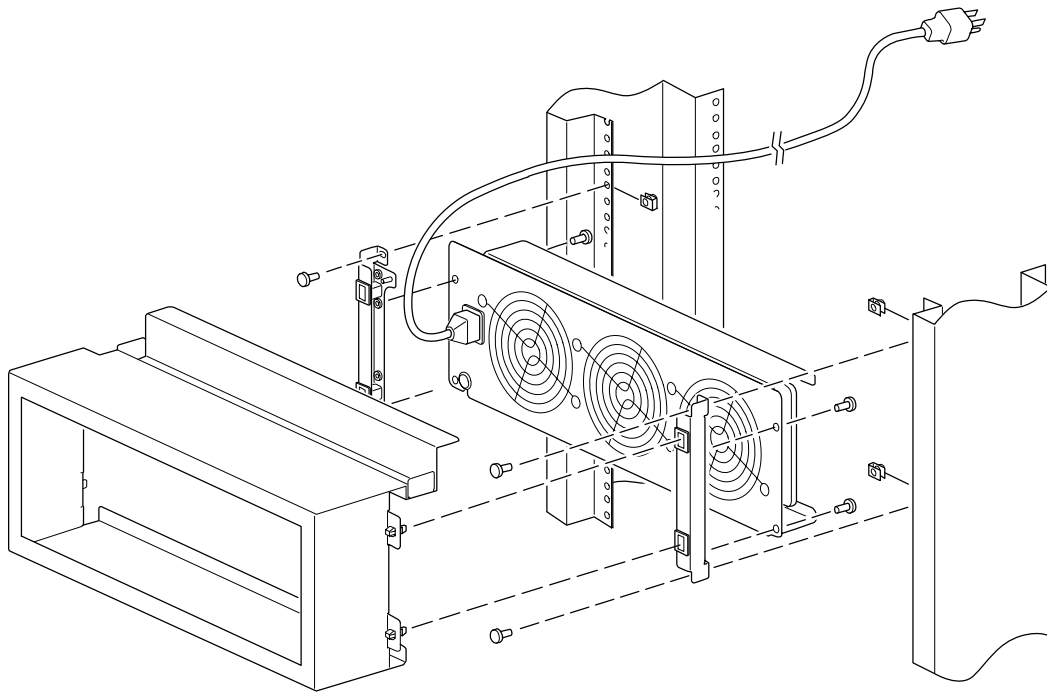
**AlphaServer DS10L – RACK MOUNTED**



IP-H9A10-5-04B

**UPS KIT  
DS-SWXRA-GH (120V)  
DS-SWXRA-GK (240V)**

**Figure 2. H9A10/11/15 Cabs w/Common Components (Sheet 2 of 4)**

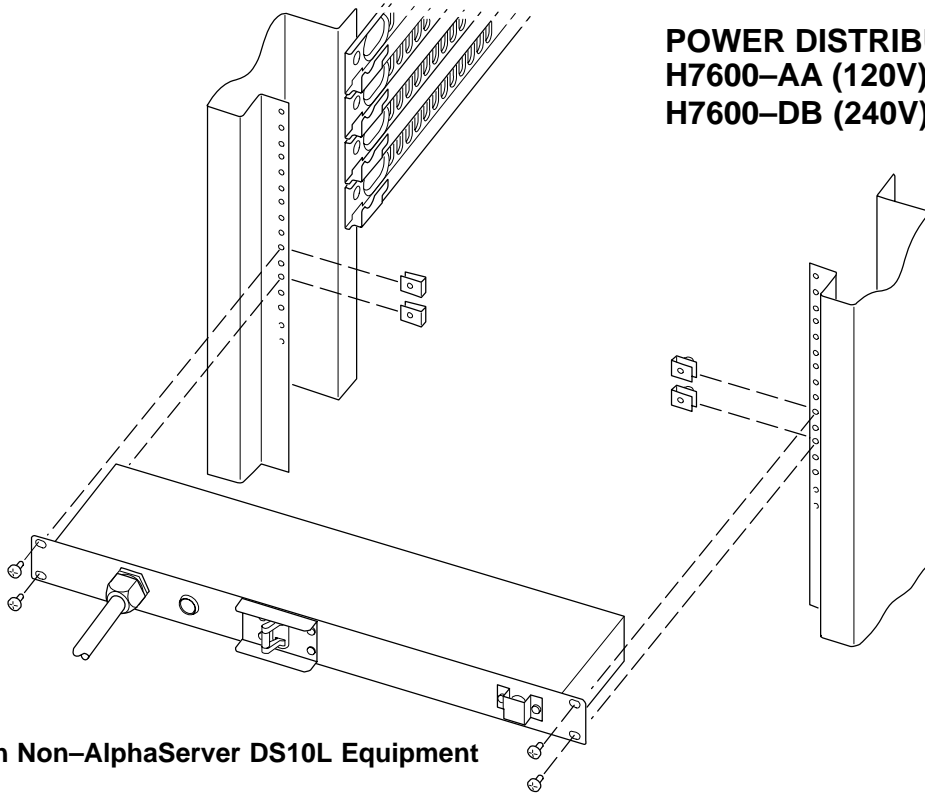


**FLUSHING FAN KIT MOUNTING  
REFER TO  
3X-H7210-AB/BB  
3X-H7210-AA/AC/BA/BC**

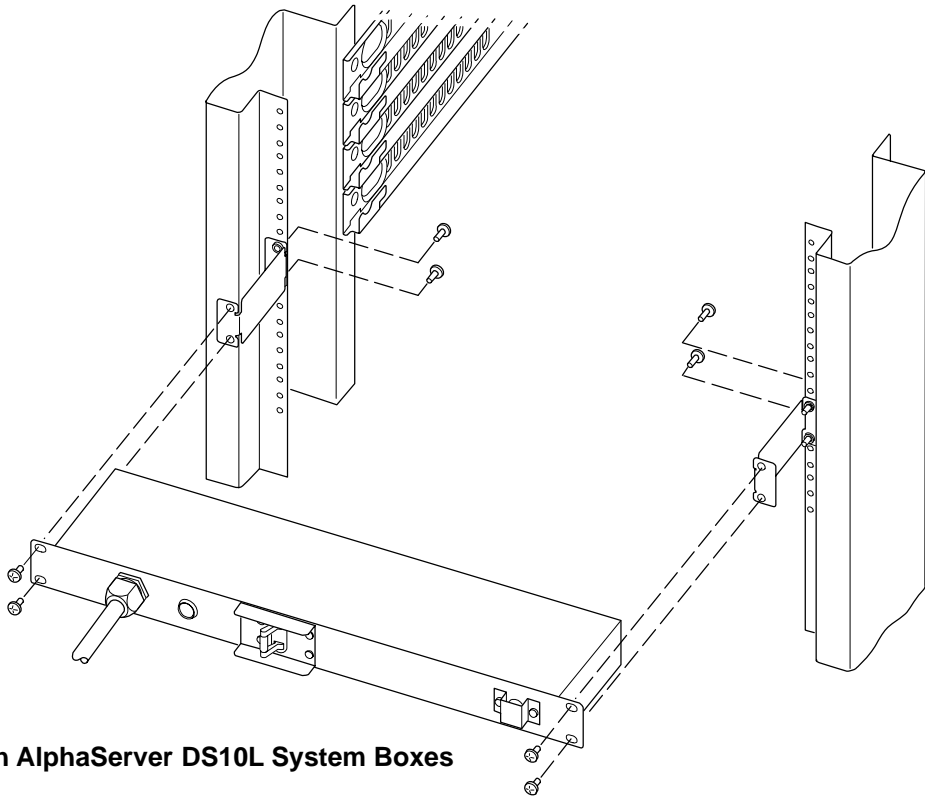
IP-2TSW8XF-01

**Figure 2. H9A10/11/15 Cabs w/Common Components (Sheet 3 of 4)**

**POWER DISTRIBUTION UNIT  
H7600-AA (120V)  
H7600-DB (240V)**



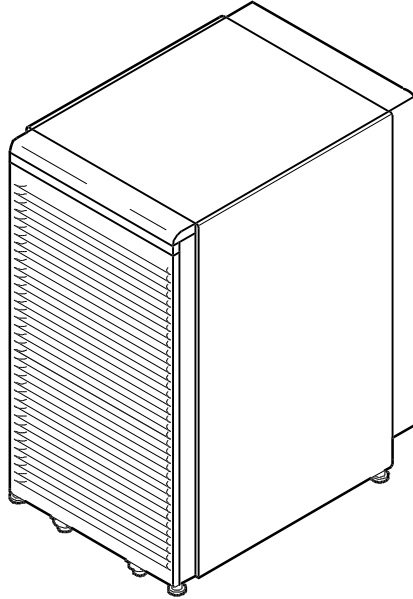
**Use With Non-AlphaServer DS10L Equipment**



**Use With AlphaServer DS10L System Boxes**

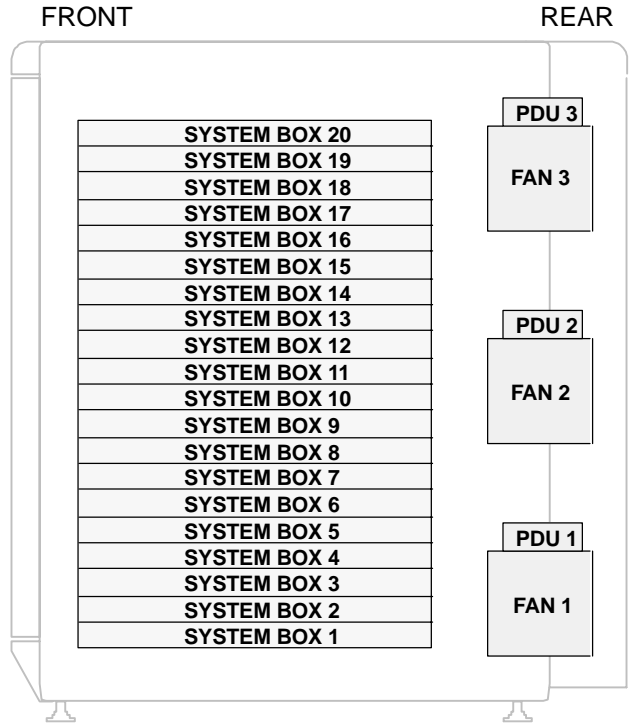
IP-7460910-01

**Figure 2. H9A10/11/15 Cabs w/Common Components (Sheet 4 of 4)**



<b>H9A11 M-SERIES CAB MISC. PART NUMBERS</b>	
<b>Description</b>	<b>Part Number</b>
<b>Ballast Kit</b>	<b>H9C10-MC</b>
<b>Front Door Kit (Gray)</b>	<b>H9C11-EA</b>
<b>Front Door Kit (Blue)</b>	<b>H9C11-EB</b>
<b>Front Finish Bezel Kit (Gray)*</b>	<b>H3400-AA</b>
<b>Front Finish Bezel Kit (Blue)*</b>	<b>H3400-AB</b>
<b>Front Trim Kit (Gray)*</b>	<b>Comes Standard</b>
<b>Front Trim Kit (Blue)*</b>	<b>With Cab</b>
<b>RAID Array 3000 (120V)</b>	<b>DS-SWXRA-GH</b>
<b>RAID Array 3000 (240V)</b>	<b>DS-SWXRA-GK</b>
<b>*H9A11 M-Series Cabinets Include A Front Trim Kit As Standard</b>	

**Figure 3. AlphaServer DS10L In H9A11 M-Series Cabinet (Sheet 1 of 13)**



**Figure 3. AlphaServer DS10L In H9A11 M-Series Cabinet (Sheet 2 of 13)**

<b>SINGLE BRACKET</b>		
<b>SYSTEM BOX</b>	<b>HOLE LOCATIONS</b>	
	<b>ALIGNMENT PIN FRONT OUTSIDE RAIL</b>	<b>CAPTIVE NUT REAR INSIDE RAIL</b>
1	3	2
2	6	5
3	9	8
4	12	11
5	15	14
6	18	17
7	21	20
8	24	23
9	27	26
10	30	29
11	33	32
12	36	35
13	39	38
14	42	41
15	45	44
16	48	47
17	51	50
18	54	53
19	57	56
20	60	59

<b>QUAD BRACKET</b>		
<b>SYSTEM BOX</b>	<b>HOLE LOCATIONS</b>	
	<b>ALIGNMENT PIN FRONT OUTSIDE RAIL</b>	<b>CAPTIVE NUT FRONT &amp; REAR INSIDE RAIL</b>
1-2-3-4	6	8
5-6-7-8	18	20
9-10-11-12	30	32
13-14-15-16	42	44
17-18-19-20	54	56

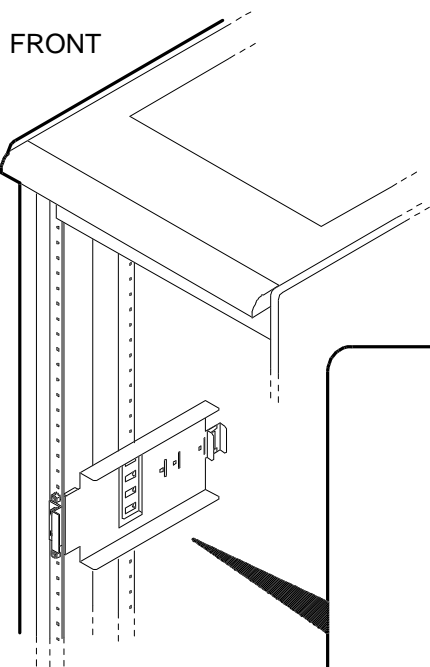
**Figure 3. AlphaServer DS10L In H9A11 M-Series Cabinet (Sheet 3 of 13)**

<b>H9A11 M-SERIES CABINET POWER DISTRIBUTION UNIT AND FAN PLACEMENT PROCEDURE</b>			
<i>WHEN INSTALLING NO MORE THAN 8 SYSTEM BOXES</i>			
1. REMOVE PDU FROM CAB BASE			
2. INSTALL MOUNTING BRACKETS FOR PDU 1			
3. INSTALL FAN 1			
4. ATTACH PDU 1 TO MOUNTING BRACKETS			
<b>SYSTEM BOX</b>	<b>DESCRIPTION</b>	<b>KIT PART NO.</b>	<b>QTY. REQUIRED</b>
1-8	FAN/CABLE KIT	3X-H7210-BA/BB/BC	1
<i>WHEN INSTALLING 9 TO 16 SYSTEM BOXES</i>			
REPEAT STEPS 1-4			
5. INSTALL MOUNTING BRACKETS FOR PDU 2			
6. INSTALL FAN 2			
7. ATTACH PDU 2 TO MOUNTING BRACKETS			
<b>SYSTEM BOX</b>	<b>DESCRIPTION</b>	<b>KIT PART NO.</b>	<b>QTY. REQUIRED</b>
9-16	FAN/CABLE KIT	3X-H7210-BA/BB/BC	1
	PDU/FAN/CABLE KIT	3X-H7210-AA/AB/AC	1
<i>WHEN INSTALLING 17 TO 20 SYSTEM BOXES</i>			
REPEAT STEPS 1-7			
8. INSTALL MOUNTING BRACKETS FOR PDU 3			
9. INSTALL FAN 3			
10. ATTACH PDU 3 TO MOUNTING BRACKETS			
<b>SYSTEM BOX</b>	<b>DESCRIPTION</b>	<b>KIT PART NO.</b>	<b>QTY. REQUIRED</b>
17-24	FAN/CABLE KIT	3X-H7210-BA/BB/BC	1
	PDU/FAN/CABLE KIT	3X-H7210-AA/AB/AC	2

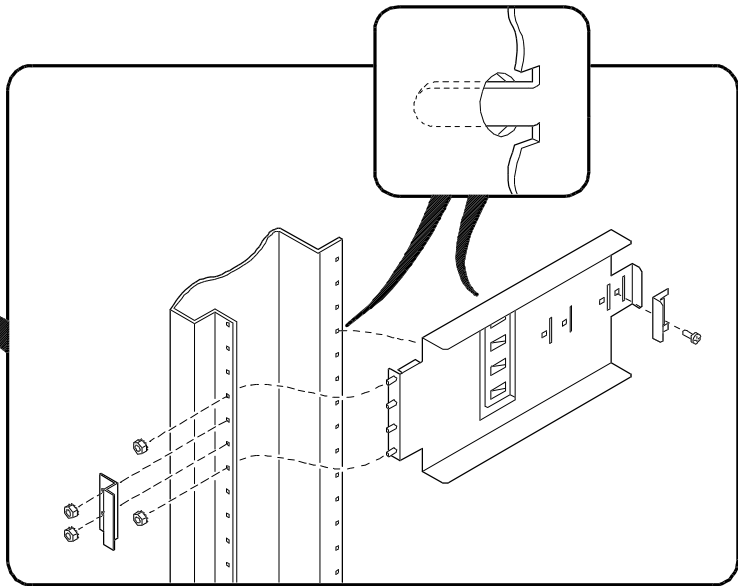
<b>PDU KIT FLUSHING FAN</b>	
<b>FAN</b>	<b>HOLE LOCATIONS</b>
	<b>SCREW REAR OUTSIDE RAIL*</b>
1	1 and 12
2	25 and 36
3	49 and 60
*MOUNTS FROM OUTSIDE IN	

<b>POWER DISTRIBUTION UNIT</b>	
<b>PDU</b>	<b>HOLE LOCATIONS</b>
	<b>SCREW REAR OUTSIDE RAIL*</b>
1	13 and 15
2	37 and 39
3	61 and 63
*MOUNTS FROM INSIDE OUT	

**Figure 3. AlphaServer DS10L In H9A11 M-Series Cabinet (Sheet 4 of 13)**



STORAGE SHELF	
FRONT	HOLE LOCATIONS
1	55, 56, 59, 60
2	43, 44, 47, 48
3	28, 29, 32, 33

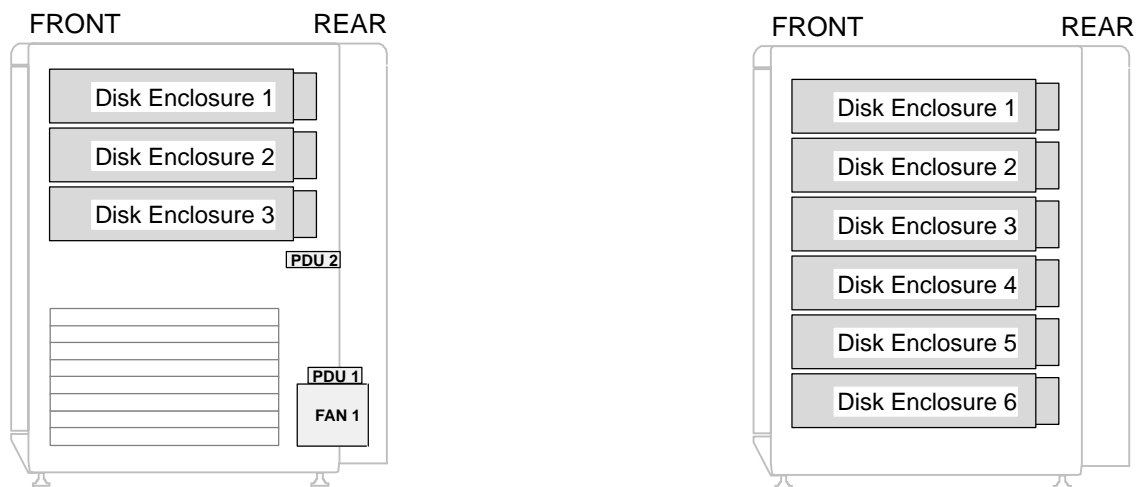


IP-H9A10-5-04E

**BA356 STORAGE SHELF MOUNTING BRACKET  
REFER TO BA35X-RK**

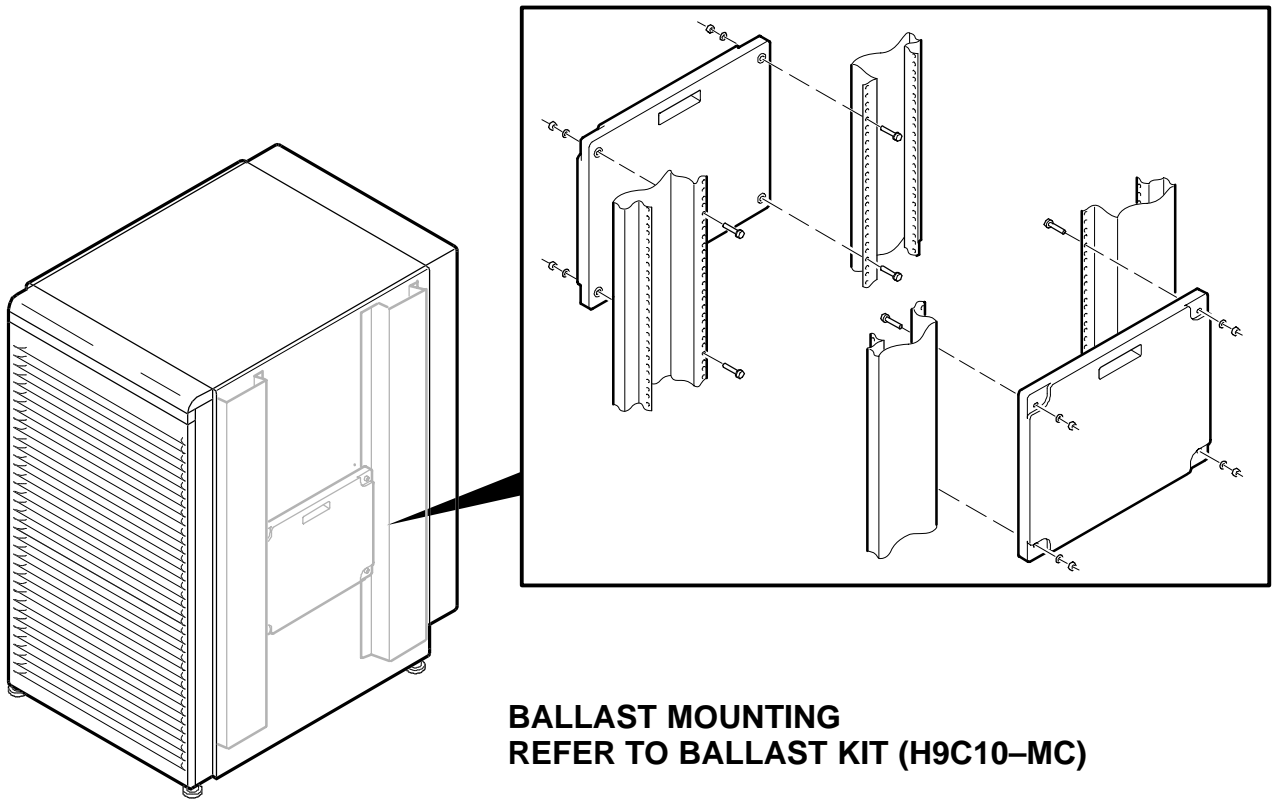
**Figure 3. AlphaServer DS10L In H9A11 M-Series Cabinet (Sheet 5 of 13)**

RACK MOUNT BRACKETS		
DISK ENCLOSURE	HOLE LOCATIONS	
	SCREWS FRONT OUTSIDE RAIL	KEP NUTS AND WASHERS REAR OUTSIDE RAIL
1	58 and 60	55 and 57
2	49 and 51	46 and 48
3	40 and 42	37 and 39
4	31 and 33	28 and 30
5	22 and 24	19 and 21
6	13 and 15	10 and 12



**Model 4254 LVD Disk Enclosure (DS-SSL14-Rx) Mounting Locations**

**Figure 3. AlphaServer DS10L In H9A11 M-Series Cabinet (Sheet 6 of 13)**

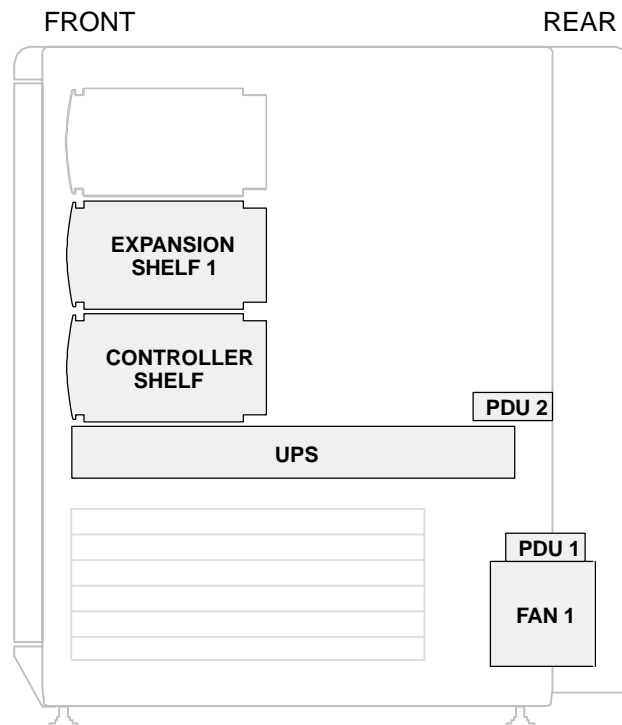


**BALLAST MOUNTING  
REFER TO BALLAST KIT (H9C10-MC)**

<b>BALLAST KIT MOUNTING LOCATIONS</b>		
<b>System Box Qty.</b>	<b>Ballast Kit Required</b>	<b>Screw Hole Locations</b>
1	1	Ballast            Top – 38 Bottom – 17
2	1	
3	1	
4	0	N/A

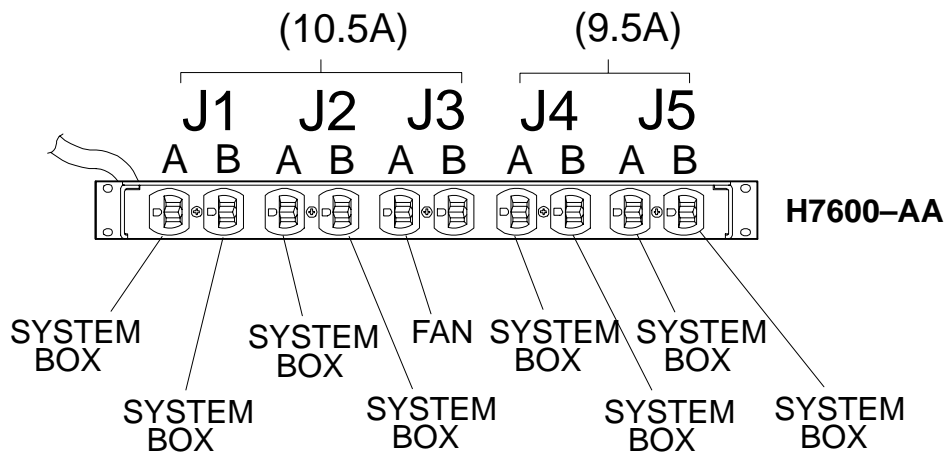
IP-H9A11-2-03

**Figure 3. AlphaServer DS10L In H9A11 M-Series Cabinet (Sheet 7 of 13)**



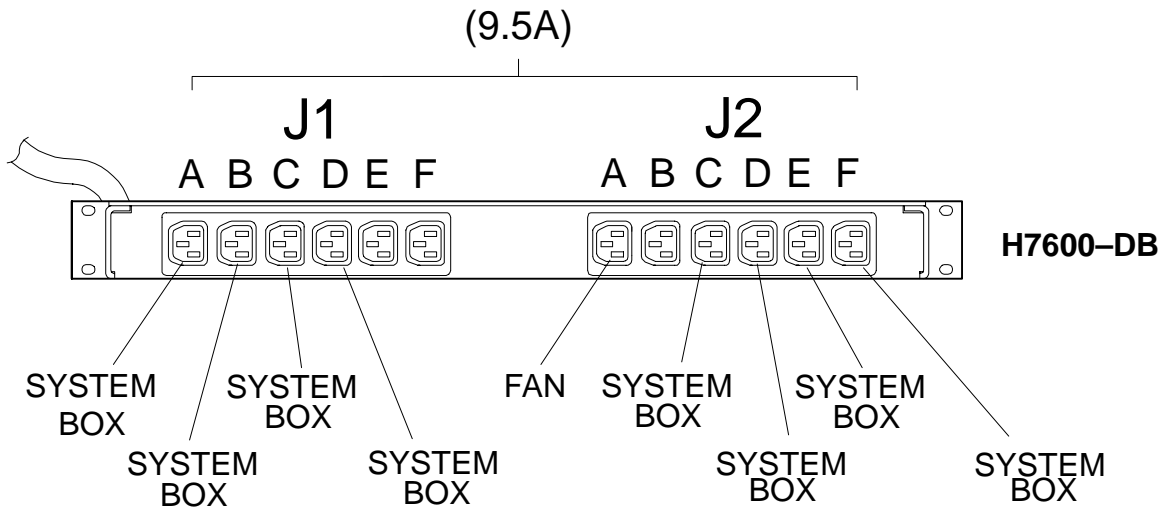
**RAID ARRAY 3000 MOUNTING CONFIGURATION**

*Figure 3. AlphaServer DS10L In H9A11 M-Series Cabinet (Sheet 8 of 13)*



H9A11 – AlphaServer DS10L	
Component	Quantity
<b>System Box</b>	<b>8</b>
<b>Flushing Fan</b>	<b>1</b>

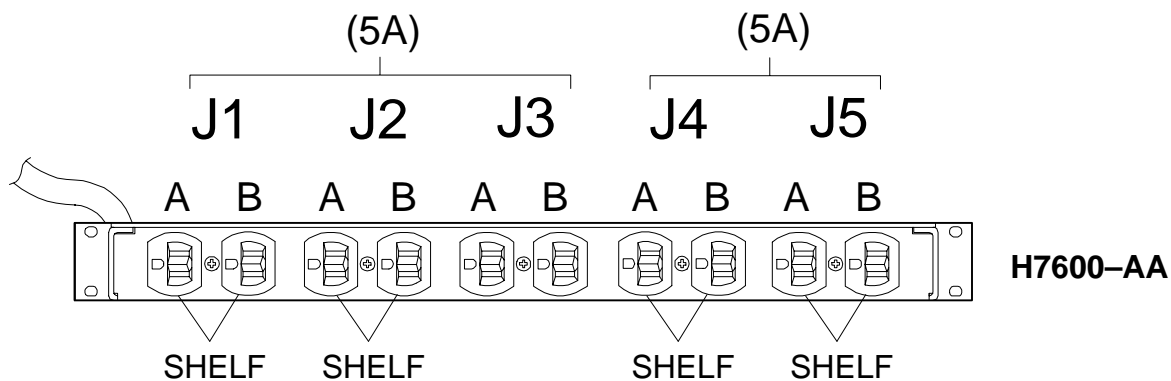
**NOTE:** This Drawing Covers AlphaServer DS10L Mounting Kits (3X-H7210-AA/AC, and -BA/BC). An Additional Kit Must Be Used For Each 8 Unit Increment. Each PDU Must Be Mounted Using Spacer Brackets Found In Each Kit.



H9A11 – AlphaServer DS10L	
Component	Quantity
<b>System Box</b>	<b>8</b>
<b>Flushing Fan</b>	<b>1</b>

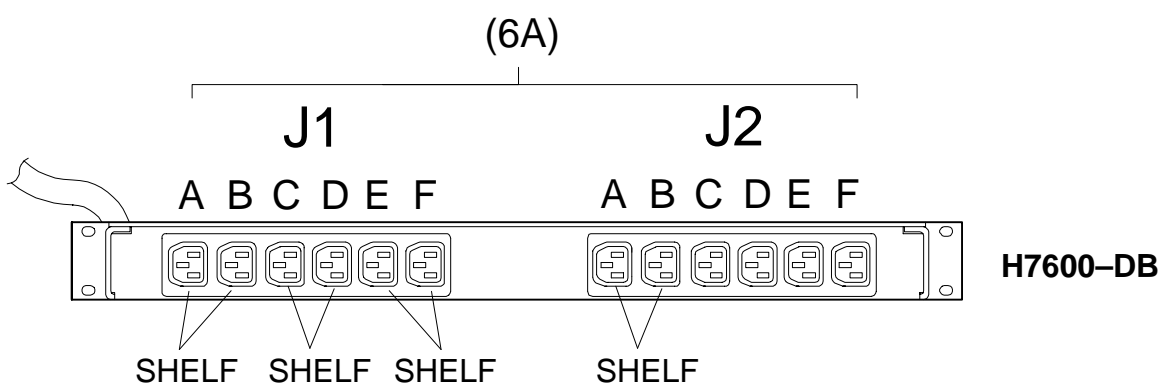
**NOTE:** This Drawing Covers AlphaServer DS10L Mounting Kits (3X-H7210-AB/BB). An Additional Kit Must Be Used For Each 8 Unit Increment. Each PDU Must Be Mounted Using Spacer Brackets Found In Each Kit.

**Figure 3. AlphaServer DS10L In H9A11 M-Series Cabinet (Sheet 9 of 13)**



H9A11 – AlphaServer DS10L w/BA356 Storage Shelves	
System Box Quantity	BA356 Storage Shelf Quantity
16	1
12	2
8	3
4	4

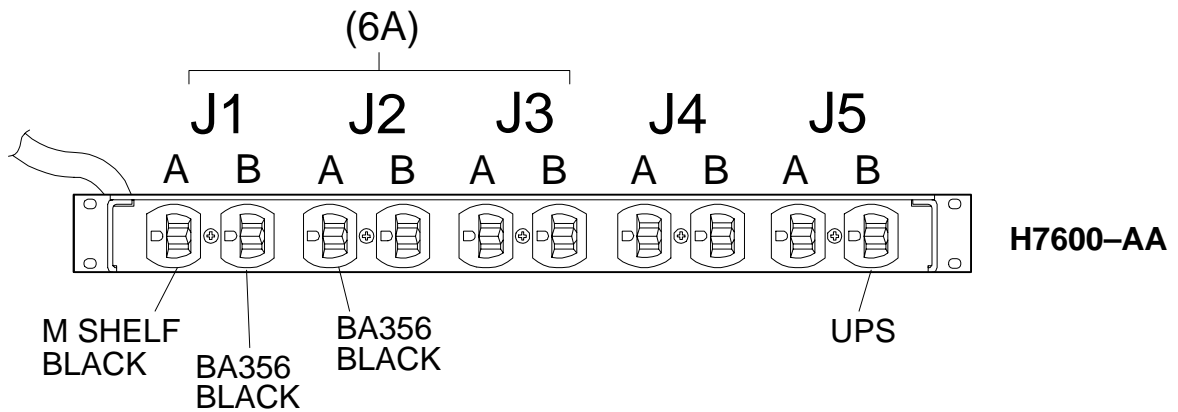
- See DS10L PDU IC Drawing For System Boxes
- Use Separate PDU For BA356's
- BA356's Can Be Front Mounted Only, No Back To Back Mounting Is Permitted
- The Number Of BA356's Is Determined By The Number Of System Boxes



H9A11 – AlphaServer DS10L w/BA356 Storage Shelves	
System Box Quantity	BA356 Storage Shelf Quantity
16	1
12	2
8	3
4	4

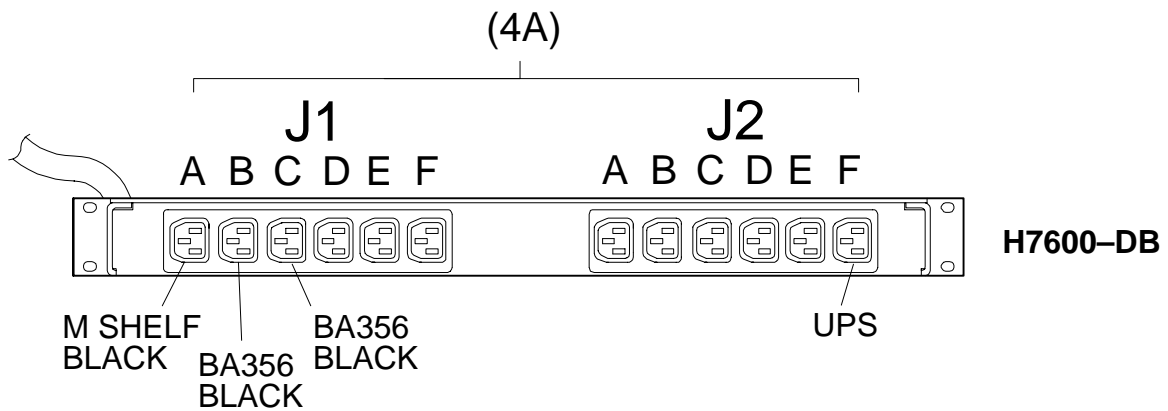
- See DS10L PDU IC Drawing For System Boxes
- Use Separate PDU For BA356's
- BA356's Can Be Front Mounted Only, No Back To Back Mounting Is Permitted
- The Number Of BA356's Is Determined By The Number Of System Boxes

Figure 3. AlphaServer DS10L In H9A11 M-Series Cabinet (Sheet 10 of 13)



**H9A11 – AlphaServer DS10L w/RA3000**

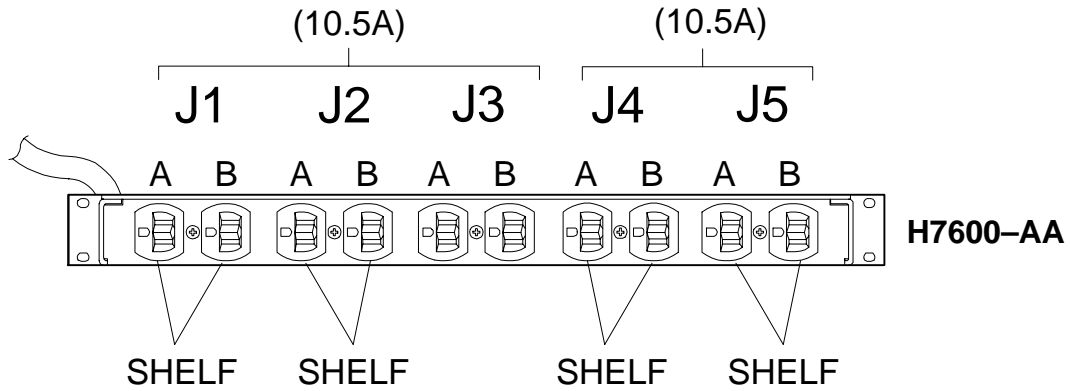
- See DS10L PDU IC Drawing For System Boxes
- Use Separate PDU For RA3000
- BA356's Can Be Front Mounted Only, No Back To Back Mounting Is Permitted
- RA3000 – All Black Power Cords Go To J1 And J2, All White Power Cords Go To UPS Which Then Plugs Into J5
- Up To 8 System Boxes Can Appear With A Minimum RA3000 Configuration As Follows: UPS, M-Shelf, BA356 (Qty. 1)
- Up To 6 System Boxes Can Appear With The RA3000 Configuration As Follows: UPS, M-Shelf, BA356 (Qty. 2)



**H9A11 – AlphaServer DS10L w/RA3000**

- See DS10L PDU IC Drawing For System Boxes
- Use Separate PDU For RA3000
- BA356's Can Be Front Mounted Only, No Back To Back Mounting Is Permitted
- RA3000 – All Black Power Cords Go To J1 All White Power Cords Go To UPS Which Then Plugs Into J2
- Up To 8 System Boxes Can Appear With A Minimum RA3000 Configuration As Follows: UPS, M-Shelf, BA356 (Qty. 1)
- Up To 6 System Boxes Can Appear With The RA3000 Configuration As Follows: UPS, M-Shelf, BA356 (Qty. 2)

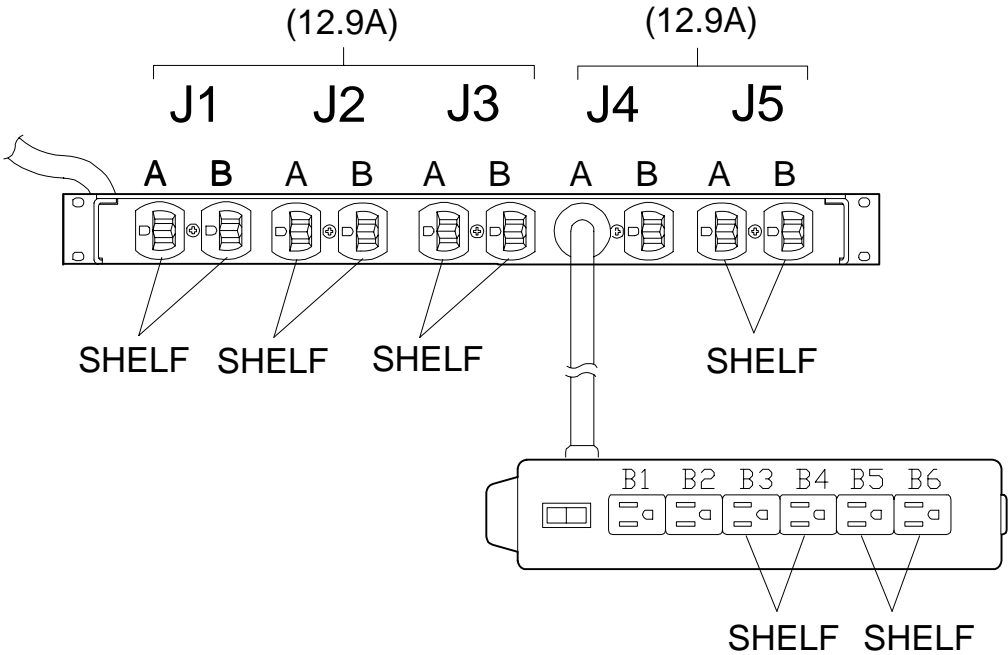
Figure 3. AlphaServer DS10L In H9A11 M-Series Cabinet (Sheet 11 of 13)



**H9A11 – AlphaServer DS10L w/DS-SSL14-Rx (100VAC)**

Component	Quantity
DS-SSL14-Rx	4

Note: DS-SSL14-Rx Requires Separate PDU.

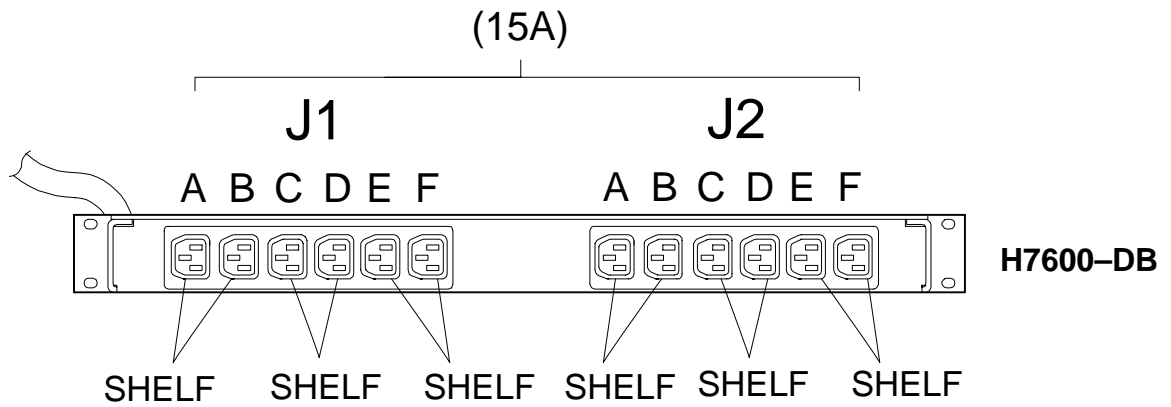


**H9A11 – AlphaServer DS10L w/DS-SSL14-Rx (120V)**

Component	Quantity
DS-SSL14-Rx	6

Note: DS-SSL14-Rx Requires Separate PDU.  
Use Of Power Strip Requires 2U Of Cabinet Space.

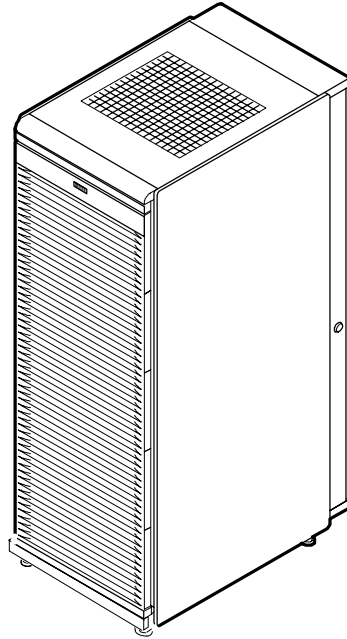
Figure 3. AlphaServer DS10L In H9A11 M-Series Cabinet (Sheet 12 of 13)



<b>H9A11 – AlphaServer DS10L w/DS-SSL14-Rx</b>	
<b>Component</b>	<b>Quantity</b>
<b>DS-SSL14-Rx</b>	<b>6</b>

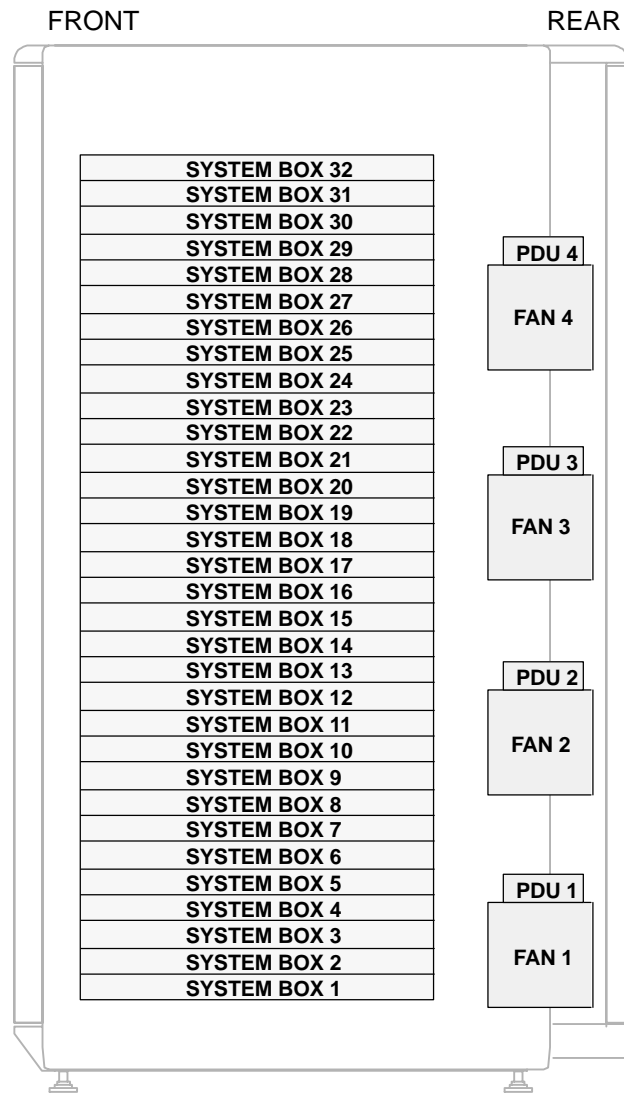
**Note: DS-SSL14-Rx Requires Separate PDU.  
 At 200VAC, A Maximum Of Five Shelves May Be Required  
 To Avoid Nuisance Trips Of PDU Circuit Breaker.**

**Figure 3. AlphaServer DS10L In H9A11 M-Series Cabinet (Sheet 13 of 13)**



<b>H9A10 M-SERIES CAB MISC. PART NUMBERS</b>	
<b>Description</b>	<b>Part Number</b>
Ballast Kit	H9C10-MC
Front Door Kit (Gray)	H9C10-NF
Front Door Kit (Blue)	H9C10-TF
Front Trim Kit (Gray)	H9C10-NT
Front Trim Kit (Blue)	H9C10-TT
Joiner Kit	H9C10-JD
Power Distribution Unit (120V)	H7600-AA*
Power Distribution Unit (240V)	H7600-DB*
RAID Array 3000 (120V)	DS-SWXRA-GH
RAID Array 3000 (240V)	DS-SWXRA-GK
RAID Array 7000 w/Front Slide Kit	2T-BA370-AS
*Use When Extra Power Outlets Are Required For Non-AlphaServer DS10L Equipment.	

**Figure 4. AlphaServer DS10L In H9A10 M-Series Cabinet (Sheet 1 of 17)**



**Figure 4. AlphaServer DS10L In H9A10 M-Series Cabinet (Sheet 2 of 17)**

<b>SINGLE BRACKET</b>		
<b>SYSTEM BOX</b>	<b>HOLE LOCATIONS</b>	
	<b>ALIGNMENT PIN FRONT OUTSIDE RAIL</b>	<b>CAPTIVE NUT REAR INSIDE RAIL</b>
1	3	2
2	6	5
3	9	8
4	12	11
5	15	14
6	18	17
7	21	20
8	24	23
9	27	26
10	30	29
11	33	32
12	36	35
13	39	38
14	42	41
15	45	44
16	48	47
17	51	50
18	54	53
19	57	56
20	60	59
21	63	62
22	66	65
23	69	68
24	72	71
25	75	74
26	78	77
27	81	80
28	84	83
29	87	86
30	90	89
31	93	92
32	96	95

<b>QUAD BRACKET</b>		
<b>SYSTEM BOX</b>	<b>HOLE LOCATIONS</b>	
	<b>ALIGNMENT PIN FRONT OUTSIDE RAIL</b>	<b>CAPTIVE NUT FRONT &amp; REAR INSIDE RAIL</b>
1-2-3-4	6	8
5-6-7-8	18	20
9-10-11-12	30	32
13-14-15-16	42	44
17-18-19-20	54	56
21-22-23-24	66	68
25-26-27-28	78	80
29-30-31-32	90	92

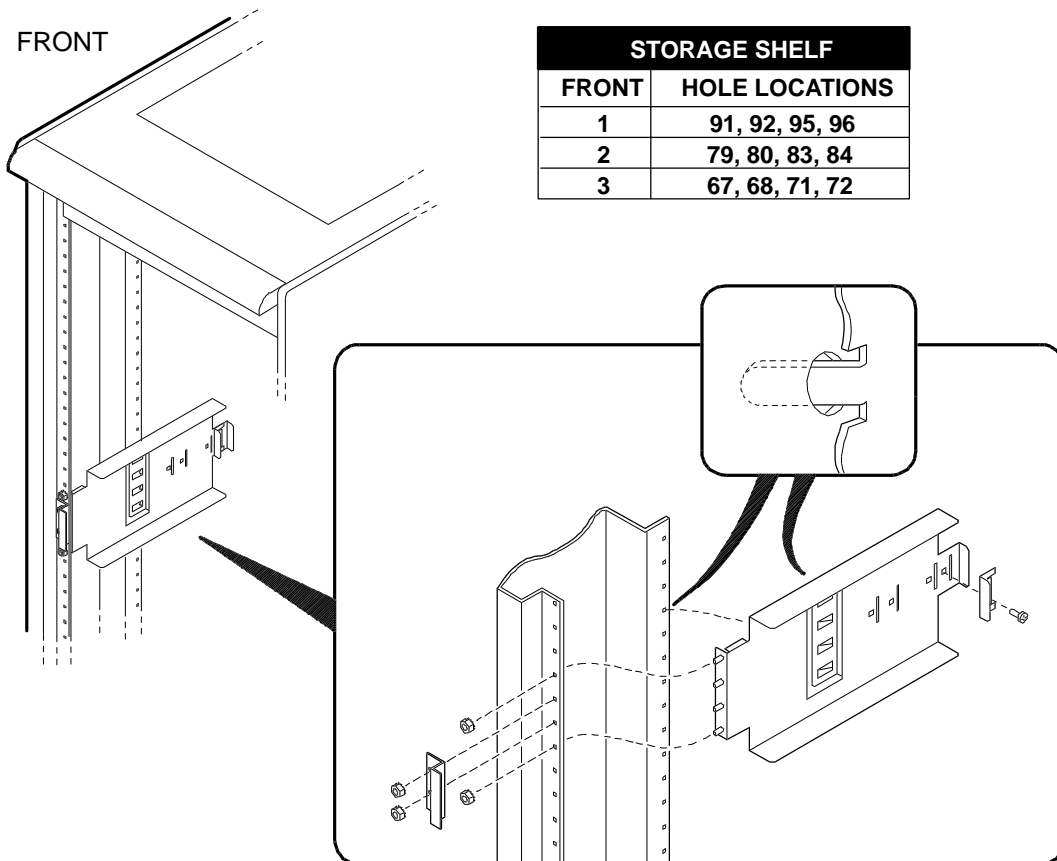
**Figure 4. AlphaServer DS10L In H9A10 M-Series Cabinet (Sheet 3 of 17)**

<b>H9A10 M–SERIES CABINET POWER DISTRIBUTION UNIT AND FAN PLACEMENT PROCEDURE</b>			
<u>WHEN INSTALLING NO MORE THAN 8 SYSTEM BOXES</u>			
1. REMOVE FRONT AND REAR PDU'S FROM CAB BASE			
2. INSTALL MOUNTING BRACKETS FOR PDU 1			
3. IF INSTALLING 8 SYSTEMS OR LESS, RELOCATE CLIP NUTS FOR PDU 2 TO SCREW HOLES 28 AND 30			
4. INSTALL FAN 1			
5. ATTACH PDU 1 TO MOUNTING BRACKETS			
6. IF INSTALLING 8 SYSTEMS OR LESS, INSTALL PDU 2 TO CLIP NUTS INSTALLED IN STEP 3			
<u>SYSTEM BOX</u>	<u>DESCRIPTION</u>	<u>KIT PART NO.</u>	<u>QTY. REQUIRED</u>
1–8	FAN/CABLE KIT	3X–H7210–BA/BB/BC	1
<u>WHEN INSTALLING 9 TO 16 SYSTEM BOXES</u>			
REPEAT STEPS 1, 2, 4, 5			
7. REMOVE PDU 2, IF NOT ALREADY REMOVED			
8. INSTALL PDU 2 MOUNTING BRACKETS			
9. INSTALL FAN 2			
10. INSTALL PDU 2 TO MOUNTING BRACKETS			
<u>SYSTEM BOX</u>	<u>DESCRIPTION</u>	<u>KIT PART NO.</u>	<u>QTY. REQUIRED</u>
9–16	FAN/CABLE KIT	3X–H7210–BA/BB/BC	2
<u>WHEN INSTALLING 17 TO 24 SYSTEM BOXES</u>			
REPEAT STEPS 1–10			
11. INSTALL MOUNTING BRACKETS FOR PDU 3			
12. INSTALL FAN 3			
13. ATTACH PDU 3 TO MOUNTING BRACKETS			
<u>SYSTEM BOX</u>	<u>DESCRIPTION</u>	<u>KIT PART NO.</u>	<u>QTY. REQUIRED</u>
17–24	FAN/CABLE KIT	3X–H7210–BA/BB/BC	2
	PDU/FAN/CABLE KIT	3X–H7210–AA/AB/AC	1
<u>WHEN INSTALLING 25 TO 32 SYSTEM BOXES</u>			
REPEAT STEPS 1–13			
14. INSTALL MOUNTING BRACKETS FOR PDU 4			
15. INSTALL FAN 4			
16. ATTACH PDU 4 TO MOUNTING BRACKETS			
<u>SYSTEM BOX</u>	<u>DESCRIPTION</u>	<u>KIT PART NO.</u>	<u>QTY. REQUIRED</u>
25–32	FAN/CABLE KIT	3X–H7210–BA/BB/BC	2
	PDU/FAN/CABLE KIT	3X–H7210–AA/AB/AC	2

<b>PDU KIT FLUSHING FAN</b>	
FAN	HOLE LOCATIONS
	SCREW REAR OUTSIDE RAIL*
1	1 and 12
2	25 and 36
3	49 and 60
4	73 and 84
*MOUNTS FROM OUTSIDE IN	

<b>POWER DISTRIBUTION UNIT</b>	
PDU	HOLE LOCATIONS
	SCREW REAR OUTSIDE RAIL*
1	13 and 15
2	37 and 39
3	61 and 63
4	85 and 87
*MOUNTS FROM INSIDE OUT	

**Figure 4. AlphaServer DS10L In H9A10 M–Series Cabinet (Sheet 4 of 17)**

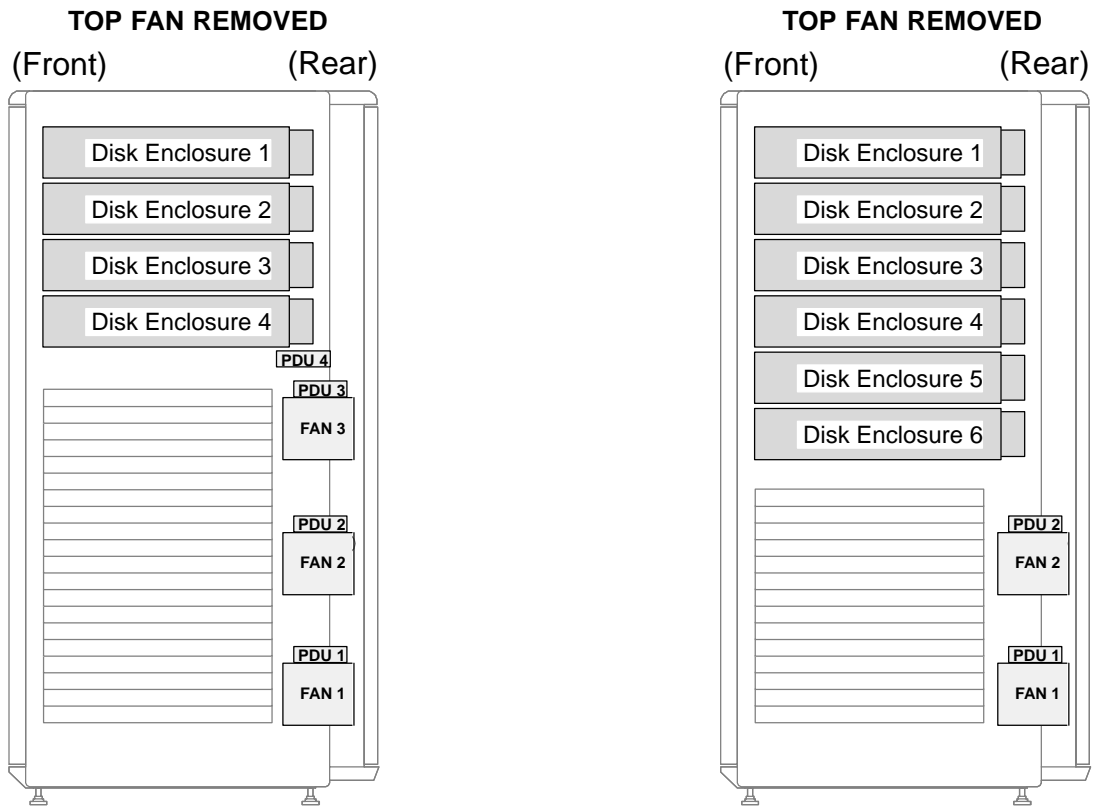


IP-H9A10-5-04E

**BA356 STORAGE SHELF MOUNTING BRACKET  
REFER TO BA35X-RK**

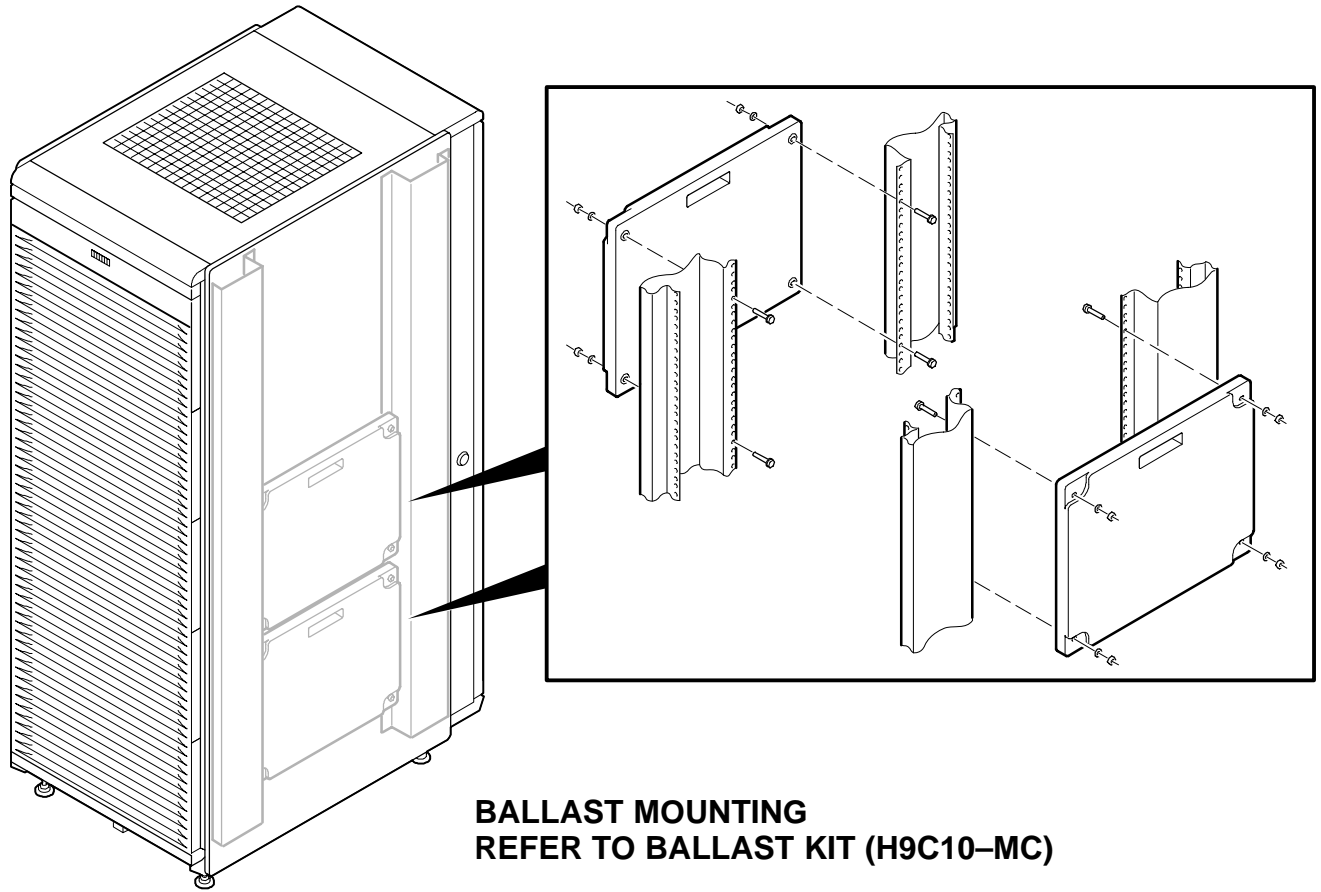
**Figure 4. AlphaServer DS10L In H9A10 M-Series Cabinet (Sheet 5 of 17)**

RACK MOUNT BRACKETS		
DISK ENCLOSURE	HOLE LOCATIONS	
	SCREWS FRONT OUTSIDE RAIL	KEP NUTS AND WASHERS REAR OUTSIDE RAIL
1	97 and 99	94 and 96
2	88 and 90	85 and 87
3	79 and 81	76 and 78
4	70 and 72	67 and 69
5	61 and 63	58 and 60
6	52 and 54	49 and 51



**Model 4254 LVD Disk Enclosure (DS-SSL14-Rx) Mounting Locations**

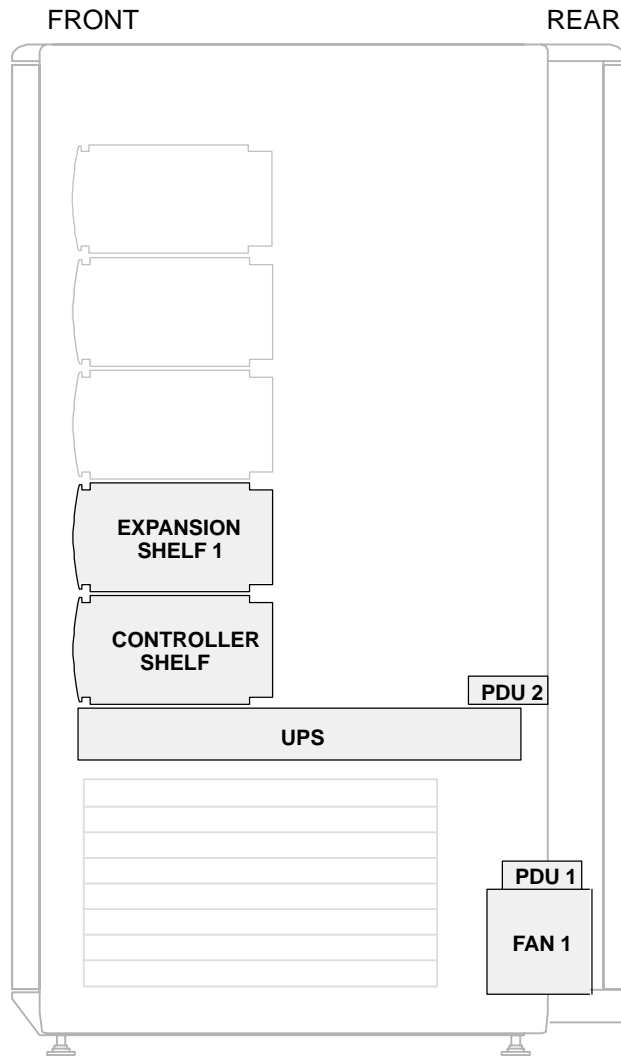
**Figure 4. AlphaServer DS10L In H9A10 M-Series Cabinet (Sheet 6 of 17)**



BALLAST KIT MOUNTING LOCATIONS		
System Box Qty.	Ballast Kit Required	Screw Hole Locations
4*	2	Upper Ballast    Top – 68 Bottom – 47
5	2	Lower Ballast    Top – 44 Bottom – 23
6	2	
7	1	Ballast             Top – 68 Bottom – 47
8	1	
9 or more	0	N/A
*Minimum Of 4 System Boxes		

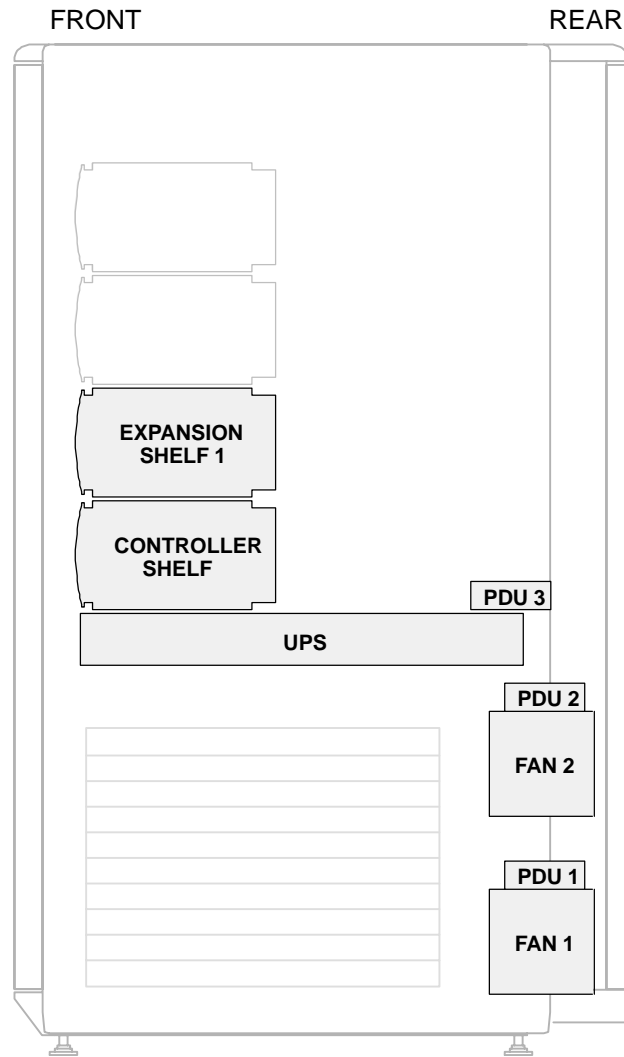
IP-H9A10-5-02

**Figure 4. AlphaServer DS10L In H9A10 M-Series Cabinet (Sheet 7 of 17)**



**RAID ARRAY 3000 MOUNTING CONFIGURATION  
WITH UP TO 8 AlphaServer DS10L's**

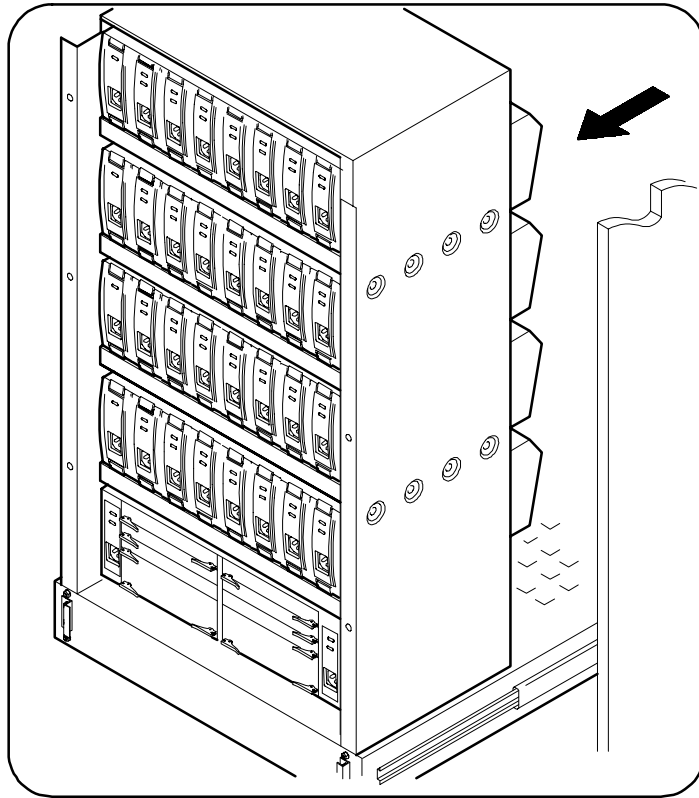
*Figure 4. AlphaServer DS10L In H9A10 M-Series Cabinet (Sheet 8 of 17)*



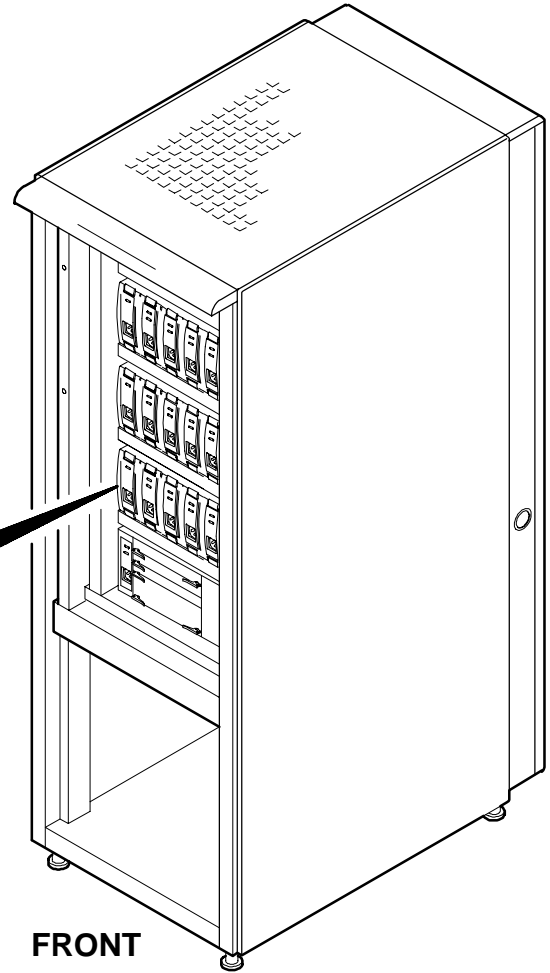
**RAID ARRAY 3000 MOUNTING CONFIGURATION  
WITH UP TO 16 AlphaServer DS10L's  
(10 Shown)**

*Figure 4. AlphaServer DS10L In H9A10 M-Series Cabinet (Sheet 9 of 17)*

**REMOVE TOP FAN FROM CAB  
PRIOR TO INSTALLATION**



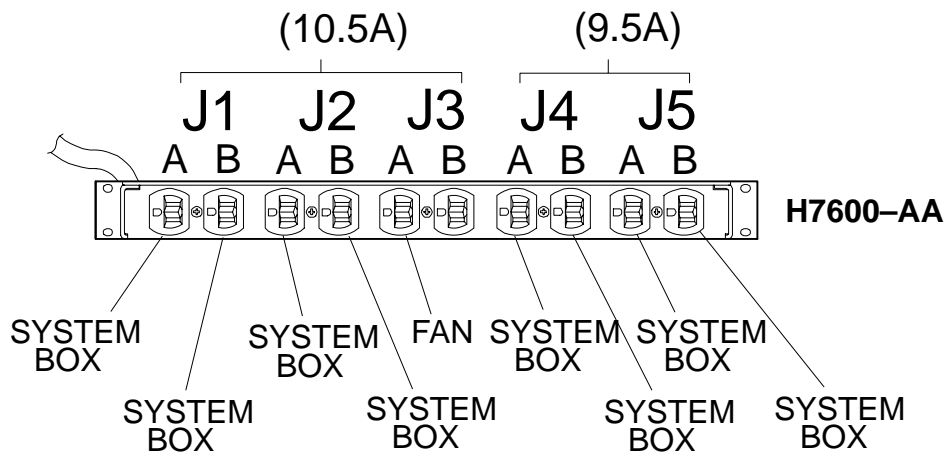
**Maximum Of One BA370  
With AlphaServer DS10L's**



<b>H9A10 M-Series Cab – BA370 Mounting Location</b>
<b>BA370 (Qty. 1) Requires A Single Ballast Kit</b>
<b>Top Front Mount – Screw Hole Locations (46, 47, 48, 49)</b>

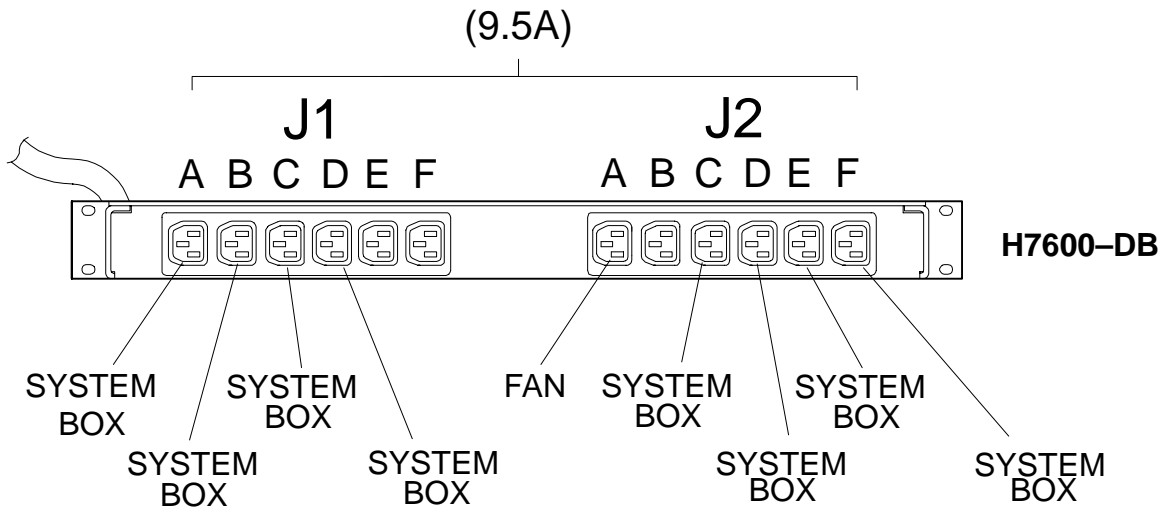
IP-H9A10-5-4C

**Figure 4. AlphaServer DS10L In H9A10 M-Series Cabinet (Sheet 10 of 17)**



H9A10 – AlphaServer DS10L	
Component	Quantity
System Box	8
Flushing Fan	1

NOTE: This Drawing Covers AlphaServer DS10L Mounting Kits (3X–H7210–AA/AC, and –BA/BC). An Additional Kit Must Be Used For Each 8 Unit Increment. Each PDU Must Be Mounted Using Spacer Brackets Found In Each Kit.

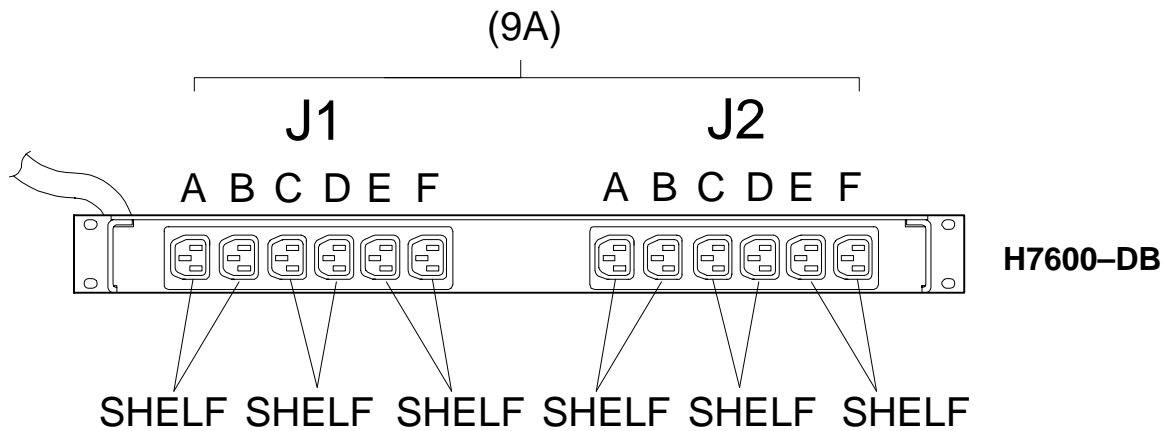


H9A10 – AlphaServer DS10L	
Component	Quantity
System Box	8
Flushing Fan	1

NOTE: This Drawing Covers AlphaServer DS10L Mounting Kits (3X–H7210–AB/BB). An Additional Kit Must Be Used For Each 8 Unit Increment. Each PDU Must Be Mounted Using Spacer Brackets Found In Each Kit.

Figure 4. AlphaServer DS10L In H9A10 M-Series Cabinet (Sheet 11 of 17)

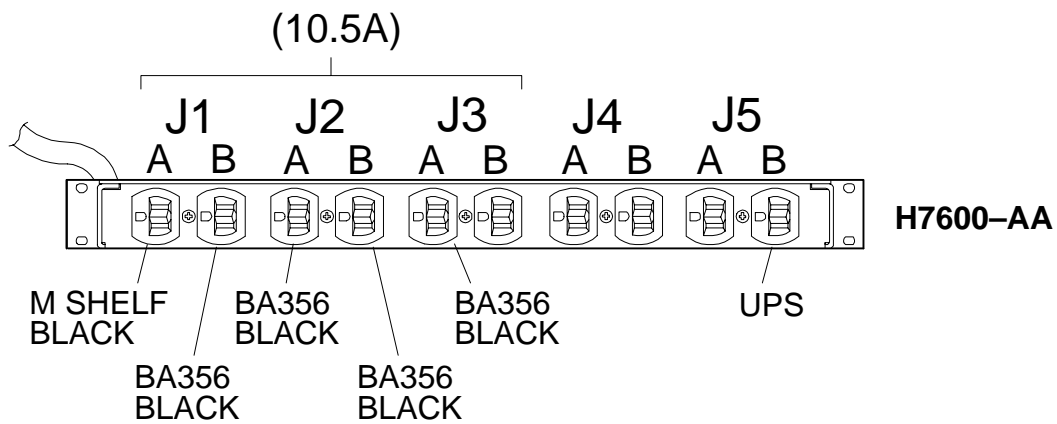




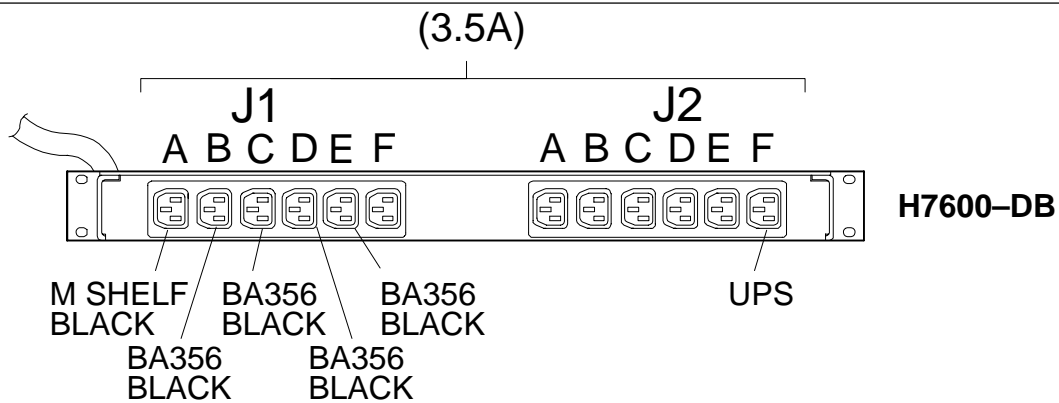
H9A10 – AlphaServer DS10L w/BA356 Storage Shelves	
System Box Quantity	BA356 Storage Shelf Quantity
28	1
24	2
20	3
16	4
12	5
8	6

- See DS10L PDU IC Drawing For System Boxes
- Use Separate PDU For BA356's
- BA356's Can Be Front Mounted Only, No Back To Back Mounting Is Permitted
- The Number Of BA356's Is Determined By The Number Of System Boxes

**Figure 4. AlphaServer DS10L In H9A10 M-Series Cabinet (Sheet 13 of 17)**

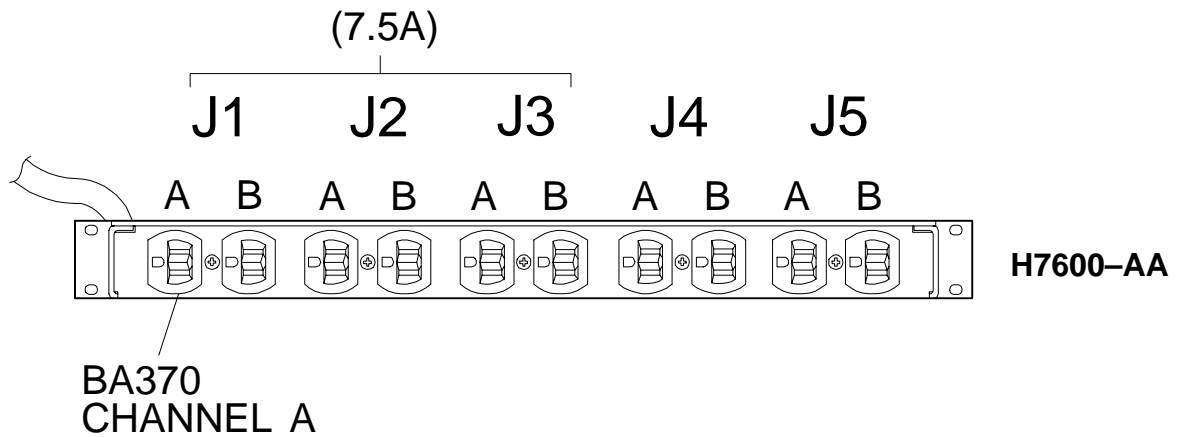


- H9A10 – AlphaServer DS10L w/RA3000**
- See DS10L PDU IC Drawing For System Boxes
  - Use Separate PDU For RA3000
  - BA356's Can Be Front Mounted Only, No Back To Back Mounting Is Permitted
  - RA3000 – All Black Power Cords Go To J1, J2, J3  
All White Power Cords Go To UPS Which Then Plugs Into J5
  - Up To 22 System Boxes Can Appear With A Minimum RA3000 Configuration As Follows: UPS, M–Shelf, BA356 (Qty. 1)  
This Can Be Expanded In 4–U Increments With 4 Less System Boxes Per Increment To 8 System Boxes With The Maximum RA3000 Configuration As Follows: UPS, M–Shelf, BA356 (Qty. 4)



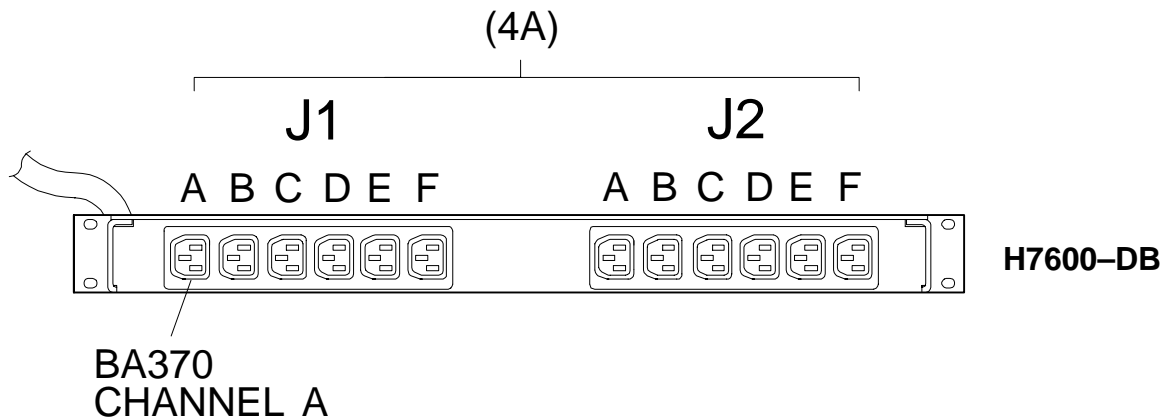
- H9A10 – AlphaServer DS10L w/RA3000**
- See DS10L PDU IC Drawing For System Boxes
  - Use Separate PDU For RA3000
  - BA356's Can Be Front Mounted Only, No Back To Back Mounting Is Permitted
  - RA3000 – All Black Power Cords Go To J1  
All White Power Cords Go To UPS Which Then Plugs Into J2
  - Up To 22 System Boxes Can Appear With A Minimum RA3000 Configuration As Follows: UPS, M–Shelf, BA356 (Qty. 1)  
This Can Be Expanded In 4–U Increments With 4 Less System Boxes Per Increment To 8 System Boxes With The Maximum RA3000 Configuration As Follows: UPS, M–Shelf, BA356 (Qty. 4)

**Figure 4. AlphaServer DS10L In H9A10 M-Series Cabinet (Sheet 14 of 17)**



**H9A10 – AlphaServer DS10L w/BA370**

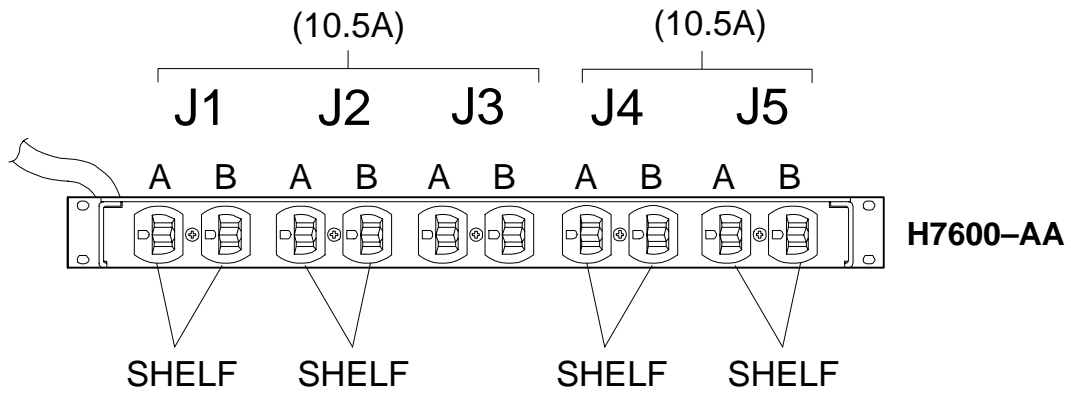
- See DS10L PDU IC Drawing For System Boxes
- Use Separate PDU For BA370
- Configuration Is Limited To A Single, Front Mount BA370
- BA370 Is Supported As A Single AC Input Device. High Availability Using Channel A and Channel B AC Inputs Would Require Another PDU Or Other AC Input Device. Refer To CS Engineering For A Custom Solution Which Offers High Availability.



**H9A10 – AlphaServer DS10L w/BA370**

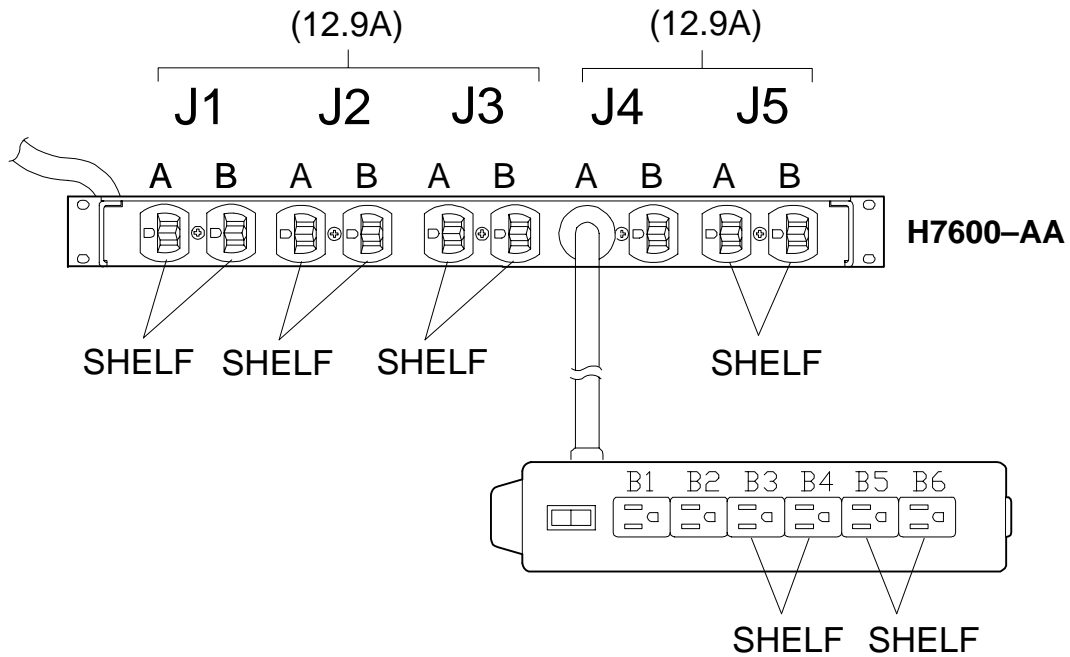
- See DS10L PDU IC Drawing For System Boxes
- Use Separate PDU For BA370
- Configuration Is Limited To A Single, Front Mount BA370
- BA370 Is Supported As A Single AC Input Device. High Availability Using Channel A and Channel B AC Inputs Would Require Another PDU Or Other AC Input Device. Refer To CS Engineering For A Custom Solution Which Offers High Availability.

Figure 4. AlphaServer DS10L In H9A10 M-Series Cabinet (Sheet 15 of 17)



H9A10 – AlphaServer DS10L w/DS-SSL14-Rx (100VAC)	
Component	Quantity
DS-SSL14-Rx	4

Note: DS-SSL14-Rx Requires Separate PDU.

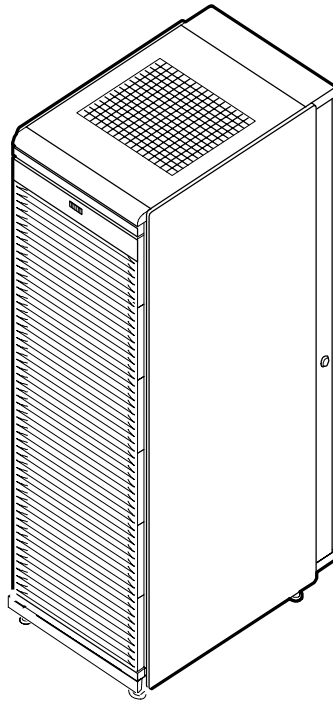


H9A10 – AlphaServer DS10L w/DS-SSL14-Rx (120V)	
Component	Quantity
DS-SSL14-Rx	6

Note: DS-SSL14-Rx Requires Separate PDU.  
Use Of Power Strip Requires 2U Of Cabinet Space.

Figure 4. AlphaServer DS10L In H9A10 M-Series Cabinet (Sheet 16 of 17)

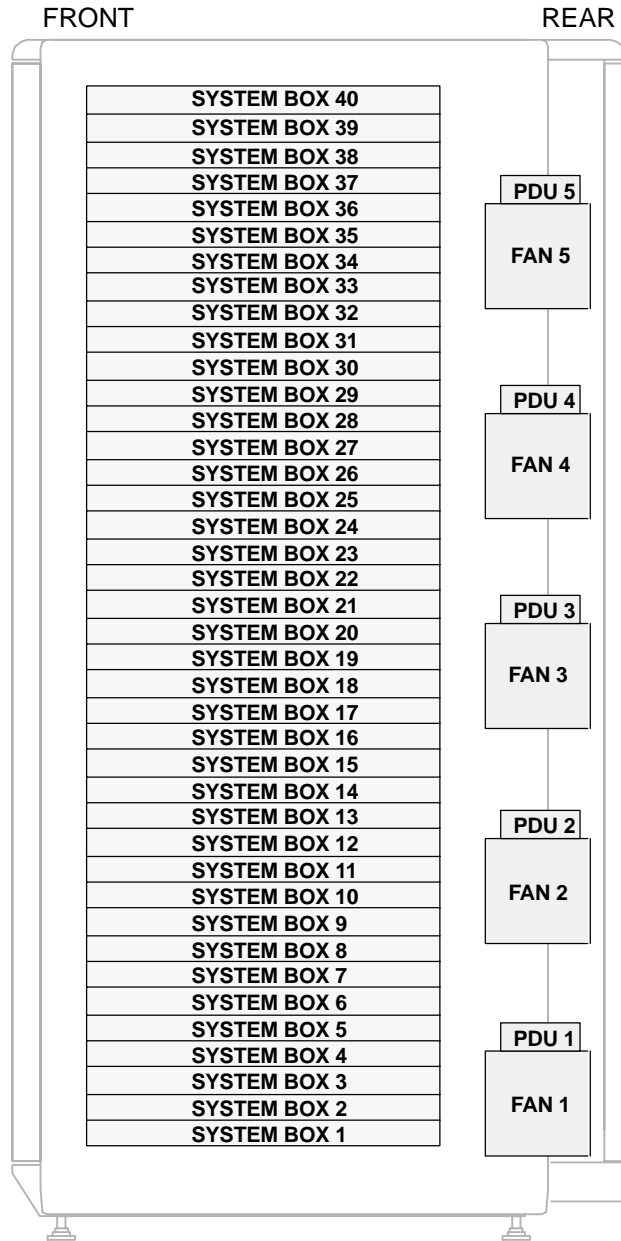




<b>H9A15 M-SERIES CAB MISC. PART NUMBERS</b>	
<b>Description</b>	<b>Part Number</b>
<b>Ballast Kit</b>	<b>H9C10-MC</b>
<b>Front Door Kit (Gray)</b>	<b>H9C15-NF</b>
<b>Front Door Kit (Blue)</b>	<b>H9C15-TF</b>
<b>Front Trim Kit (Gray)</b>	<b>H9C15-NT</b>
<b>Front Trim Kit (Blue)</b>	<b>H9C15-TT</b>
<b>Joiner Kit</b>	<b>H9C15-JD</b>
<b>Power Distribution Unit (120V)</b>	<b>H7600-AA*</b>
<b>Power Distribution Unit (240V)</b>	<b>H7600-DB*</b>
<b>RAID Array 3000 (120V)</b>	<b>DS-SWXRA-GH</b>
<b>RAID Array 3000 (240V)</b>	<b>DS-SWXRA-GK</b>
<b>RAID Array 7000 w/Front Slide Kit</b>	<b>2T-BA370-AS</b>
<b>*Use When Extra Power Outlets Are Required For Non-AlphaServer DS10L Equipment.</b>	

**Figure 5. AlphaServer DS10L In H9A15 M-Series Cabinet (Sheet 1 of 19)**

**REMOVE TOP FAN PRIOR TO INSTALLATION**

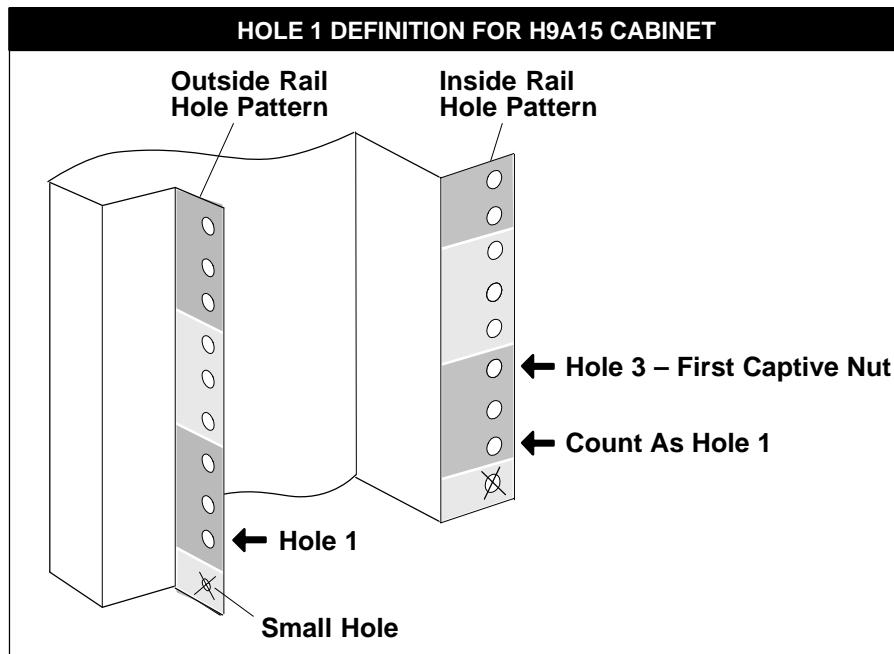


**Figure 5. AlphaServer DS10L In H9A15 M-Series Cabinet (Sheet 2 of 19)**

<b>SINGLE BRACKET</b>		
<b>SYSTEM BOX</b>	<b>HOLE LOCATIONS</b>	
	<b>ALIGNMENT PIN FRONT OUTSIDE RAIL</b>	<b>CAPTIVE NUT REAR INSIDE RAIL</b>
1	3	2
2	6	5
3	9	8
4	12	11
5	15	14
6	18	17
7	21	20
8	24	23
9	27	26
10	30	29
11	33	32
12	36	35
13	39	38
14	42	41
15	45	44
16	48	47
17	51	50
18	54	53
19	57	56
20	60	59
21	63	62
22	66	65
23	69	68
24	72	71
25	75	74
26	78	77
27	81	80
28	84	83
29	87	86
30	90	89
31	93	92
32	96	95
33	99	98
34	102	101
35	105	104
36	108	107
37	111	110
38	114	113
39	117	116
40	120	119

**Figure 5. AlphaServer DS10L In H9A15 M–Series Cabinet (Sheet 3 of 19)**

QUAD BRACKET		
SYSTEM BOX	HOLE LOCATIONS	
	ALIGNMENT PIN FRONT OUTSIDE RAIL	CAPTIVE NUT FRONT & REAR INSIDE RAIL
1-2-3-4	6	8
5-6-7-8	18	20
9-10-11-12	30	32
13-14-15-16	42	44
17-18-19-20	54	56
21-22-23-24	66	68
25-26-27-28	78	80
29-30-31-32	90	92
33-34-35-36	102	104
37-38-39-40	114	116



**AlphaServer DS10L MOUNTING LOCATIONS**

**Figure 5. AlphaServer DS10L In H9A15 M-Series Cabinet (Sheet 4 of 19)**

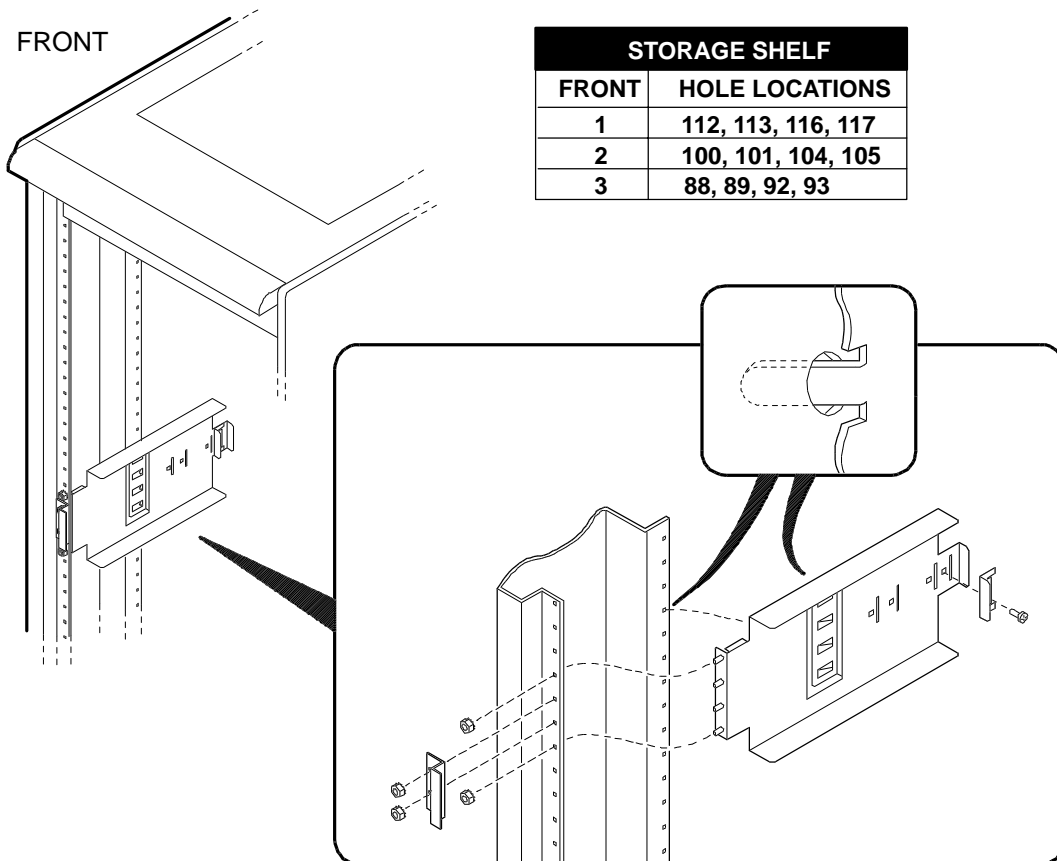
<b>H9A15 M–SERIES CABINET POWER DISTRIBUTION UNIT AND FAN PLACEMENT PROCEDURE</b>			
<i><u>WHEN INSTALLING NO MORE THAN 8 SYSTEM BOXES</u></i>			
1. REMOVE FRONT AND REAR PDU'S FROM CAB BASE			
2. INSTALL MOUNTING BRACKETS FOR PDU 1			
3. IF INSTALLING 8 SYSTEMS OR LESS, RELOCATE CLIP NUTS FOR PDU 2 TO SCREW HOLES 28 AND 30			
4. INSTALL FAN 1			
5. ATTACH PDU 1 TO MOUNTING BRACKETS			
6. IF INSTALLING 8 SYSTEMS OR LESS, INSTALL PDU 2 TO CLIP NUTS INSTALLED IN STEP 3			
<b><u>SYSTEM BOX</u></b>	<b><u>DESCRIPTION</u></b>	<b><u>KIT PART NO.</u></b>	<b><u>QTY. REQUIRED</u></b>
1–8	FAN/CABLE KIT	3X–H7210–BA/BB/BC	1
<i><u>WHEN INSTALLING 9 TO 16 SYSTEM BOXES</u></i>			
REPEAT STEPS 1, 2, 4, 5			
7. REMOVE PDU 2, IF NOT ALREADY REMOVED			
8. INSTALL PDU 2 MOUNTING BRACKETS			
9. INSTALL FAN 2			
10. INSTALL PDU 2 TO MOUNTING BRACKETS			
<b><u>SYSTEM BOX</u></b>	<b><u>DESCRIPTION</u></b>	<b><u>KIT PART NO.</u></b>	<b><u>QTY. REQUIRED</u></b>
9–16	FAN/CABLE KIT	3X–H7210–BA/BB/BC	2
<i><u>WHEN INSTALLING 17 TO 24 SYSTEM BOXES</u></i>			
REPEAT STEPS 1–10			
11. INSTALL MOUNTING BRACKETS FOR PDU 3			
12. INSTALL FAN 3			
13. ATTACH PDU 3 TO MOUNTING BRACKETS			
<b><u>SYSTEM BOX</u></b>	<b><u>DESCRIPTION</u></b>	<b><u>KIT PART NO.</u></b>	<b><u>QTY. REQUIRED</u></b>
17–24	FAN/CABLE KIT	3X–H7210–BA/BB/BC	2
	PDU/FAN/CABLE KIT	3X–H7210–AA/AB/AC	1
<i><u>WHEN INSTALLING 25 TO 32 SYSTEM BOXES</u></i>			
REPEAT STEPS 1–13			
14. INSTALL MOUNTING BRACKETS FOR PDU 4			
15. INSTALL FAN 4			
16. ATTACH PDU 4 TO MOUNTING BRACKETS			
<b><u>SYSTEM BOX</u></b>	<b><u>DESCRIPTION</u></b>	<b><u>KIT PART NO.</u></b>	<b><u>QTY. REQUIRED</u></b>
25–32	FAN/CABLE KIT	3X–H7210–BA/BB/BC	2
	PDU/FAN/CABLE KIT	3X–H7210–AA/AB/AC	2
<i><u>WHEN INSTALLING 33 TO 40 SYSTEM BOXES</u></i>			
REPEAT STEPS 1–16			
17. INSTALL MOUNTING BRACKETS FOR PDU 5			
18. INSTALL FAN 5			
19. ATTACH PDU 5 TO MOUNTING BRACKETS			
<b><u>SYSTEM BOX</u></b>	<b><u>DESCRIPTION</u></b>	<b><u>KIT PART NO.</u></b>	<b><u>QTY. REQUIRED</u></b>
33–40	FAN/CABLE KIT	3X–H7210–BA/BB/BC	2
	PDU/FAN/CABLE KIT	3X–H7210–AA/AB/AC	3

**Figure 5. AlphaServer DS10L In H9A15 M–Series Cabinet (Sheet 5 of 19)**

<b>PDU KIT FLUSHING FAN</b>	
<b>FAN</b>	<b>HOLE LOCATIONS</b>
	<b>SCREW REAR OUTSIDE RAIL*</b>
<b>1</b>	<b>1 and 12</b>
<b>2</b>	<b>25 and 36</b>
<b>3</b>	<b>49 and 60</b>
<b>4</b>	<b>73 and 84</b>
<b>5</b>	<b>97 and 108</b>
<b>*MOUNTS FROM OUTSIDE IN</b>	

<b>POWER DISTRIBUTION UNIT</b>	
<b>PDU</b>	<b>HOLE LOCATIONS</b>
	<b>SCREW REAR OUTSIDE RAIL*</b>
<b>1</b>	<b>13 and 15</b>
<b>2</b>	<b>37 and 39</b>
<b>3</b>	<b>61 and 63</b>
<b>4</b>	<b>85 and 87</b>
<b>5</b>	<b>109 and 111</b>
<b>*MOUNTS FROM INSIDE OUT</b>	

**Figure 5. AlphaServer DS10L In H9A15 M–Series Cabinet (Sheet 6 of 19)**

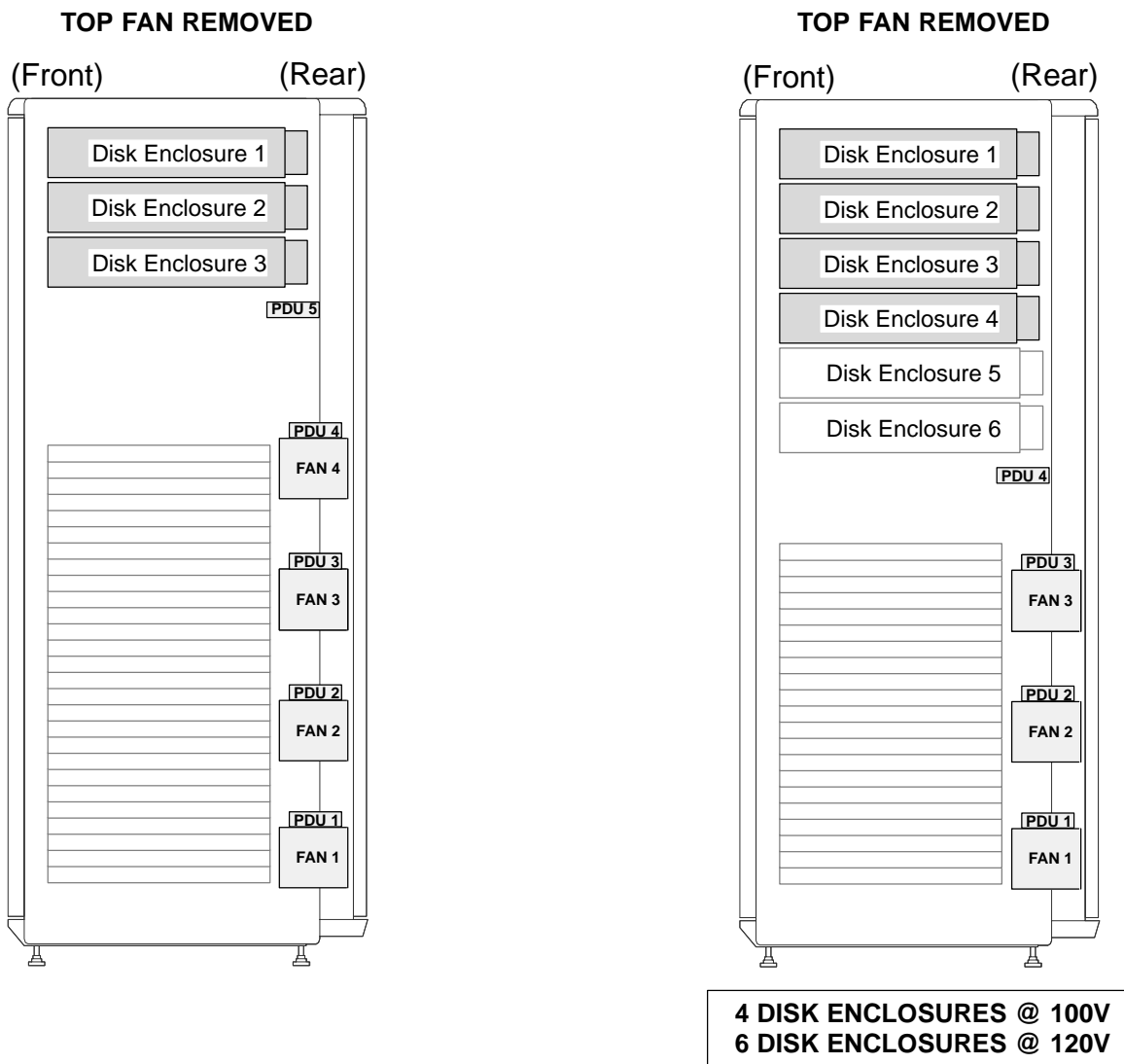


IP-H9A10-5-04E

**BA356 STORAGE SHELF MOUNTING BRACKET  
REFER TO BA35X-RK**

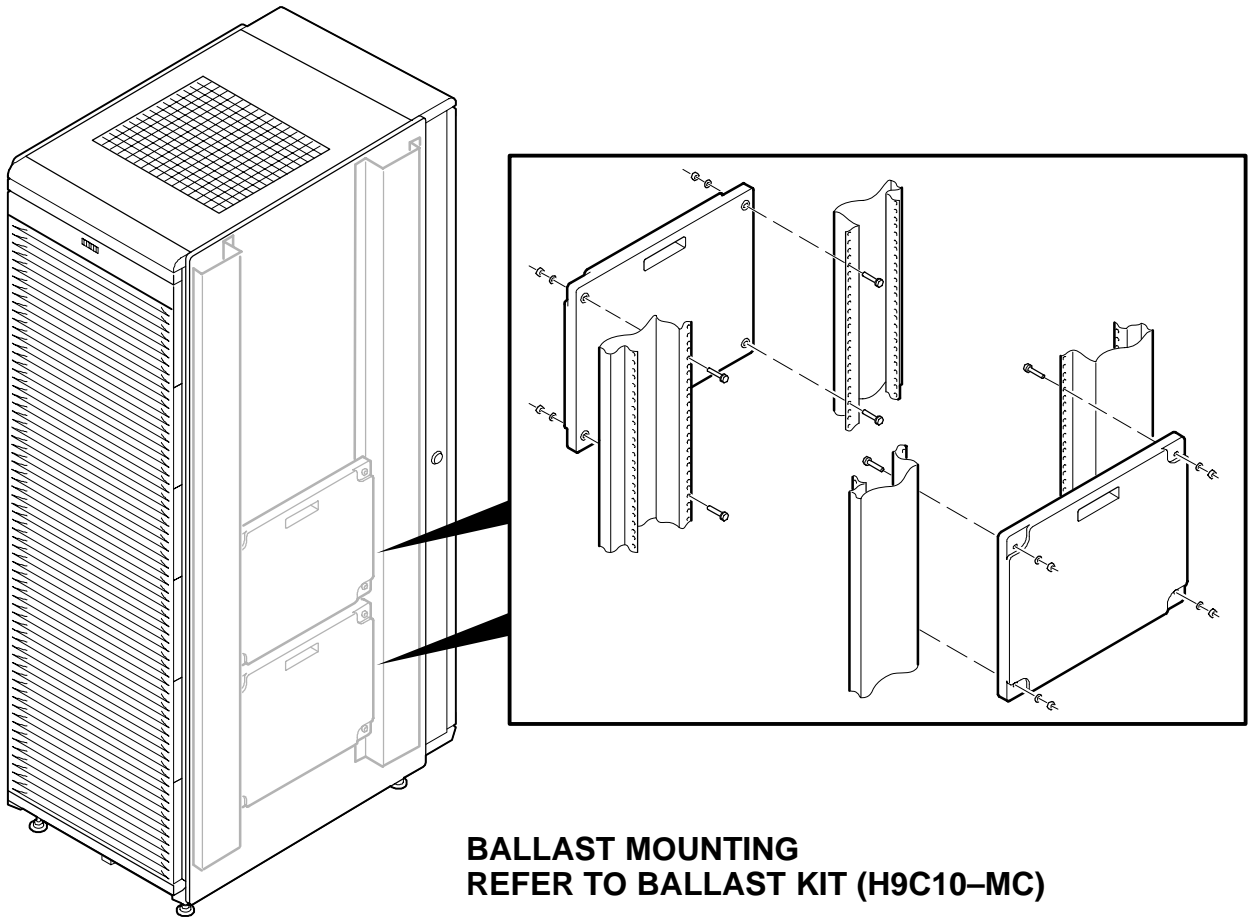
**Figure 5. AlphaServer DS10L In H9A15 M-Series Cabinet (Sheet 7 of 19)**

RACK MOUNT BRACKETS		
DISK ENCLOSURE	HOLE LOCATIONS	
	SCREWS FRONT OUTSIDE RAIL	KEP NUTS AND WASHERS REAR OUTSIDE RAIL
1	118 and 120	115 and 117
2	109 and 111	106 and 108
3	100 and 102	97 and 99
4	91 and 93	88 and 90
5	82 and 84	79 and 81
6	73 and 75	70 and 72



Model 4254 LVD Disk Enclosure (DS-SSL14-Rx) Mounting Locations  
With AlphaServer DS10L System Boxes

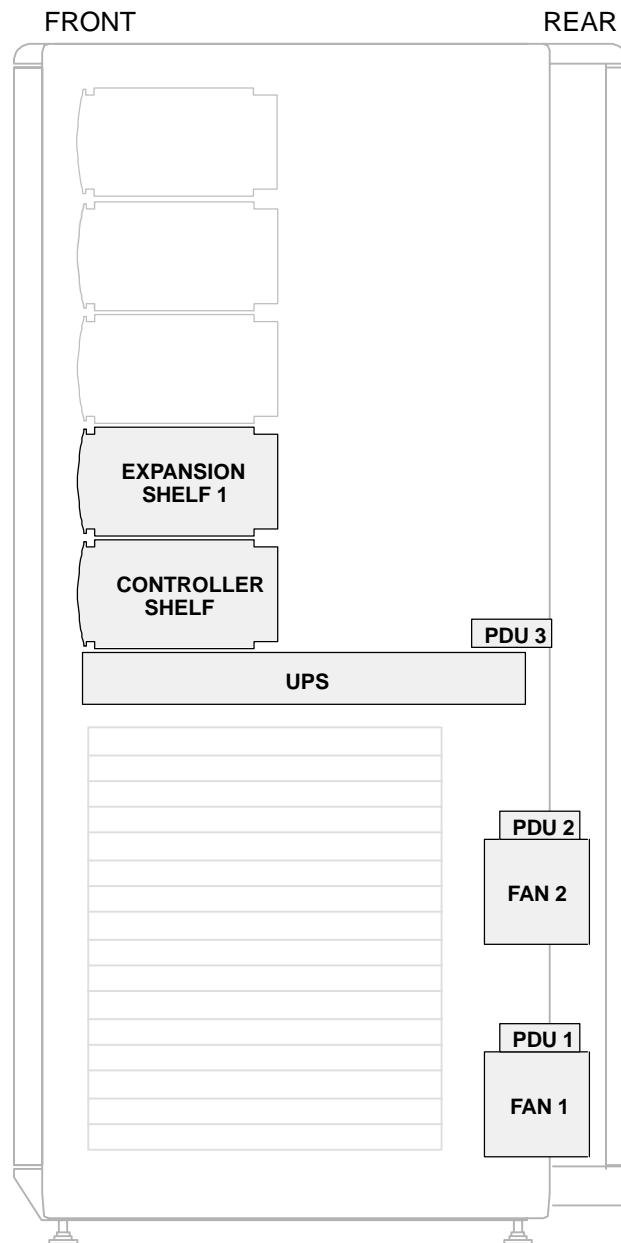
Figure 5. AlphaServer DS10L In H9A15 M-Series Cabinet (Sheet 8 of 19)



BALLAST KIT MOUNTING LOCATIONS		
System Box Qty.	Ballast Kit Required	Screw Hole Locations
4	N/A*	N/A
5	2	Upper Ballast    Top – 71 Bottom – 50
6	2	Lower Ballast    Top – 47 Bottom – 26
7	2	
8	1	Ballast                Top – 71 Bottom – 50
9	1	
10	1	
11	0	N/A
*Minimum Of 5 System Boxes		

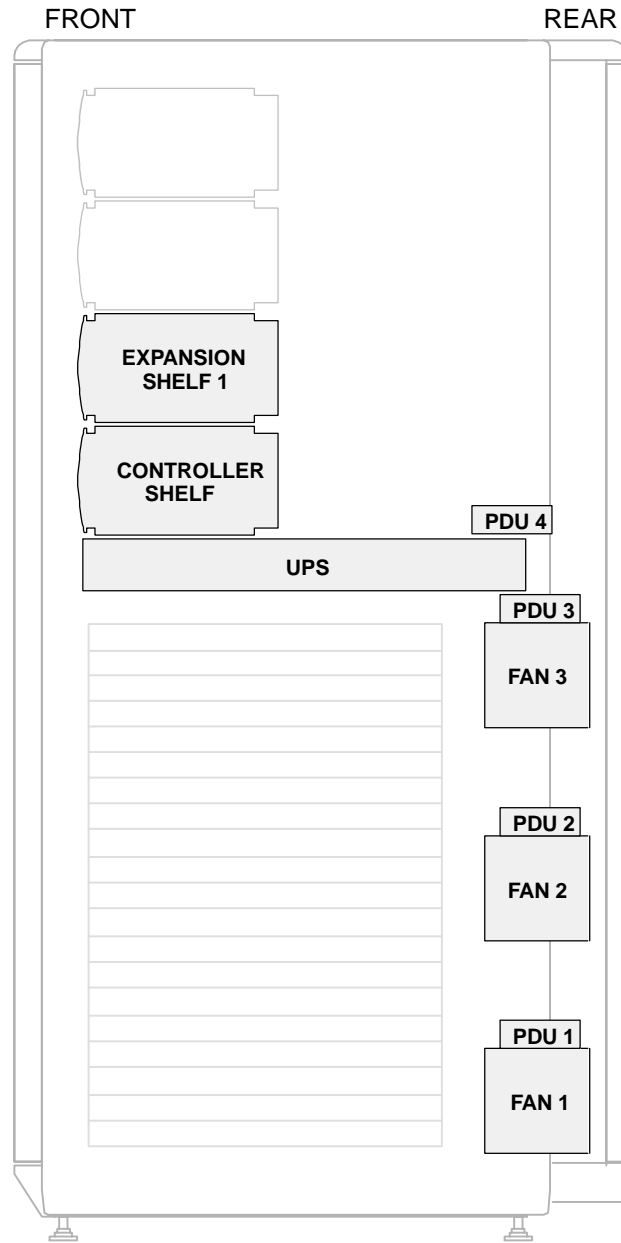
IP-H9A10-5-02

**Figure 5. AlphaServer DS10L In H9A15 M-Series Cabinet (Sheet 9 of 19)**



**RAID ARRAY 3000 MOUNTING CONFIGURATION  
WITH UP TO 16 AlphaServer DS10L's**

*Figure 5. AlphaServer DS10L In H9A15 M-Series Cabinet (Sheet 10 of 19)*

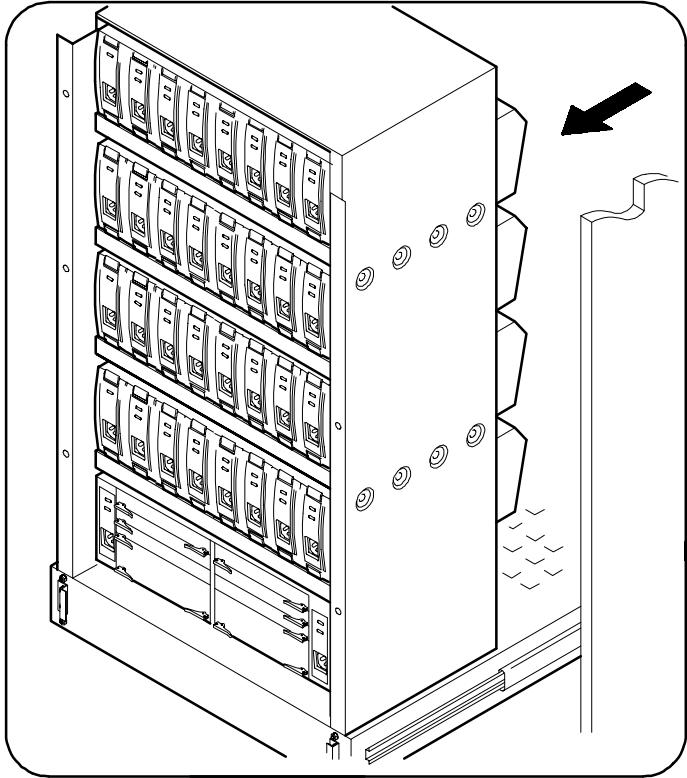


**RAID ARRAY 3000 MOUNTING CONFIGURATION  
WITH UP TO 20 AlphaServer DS10L's**

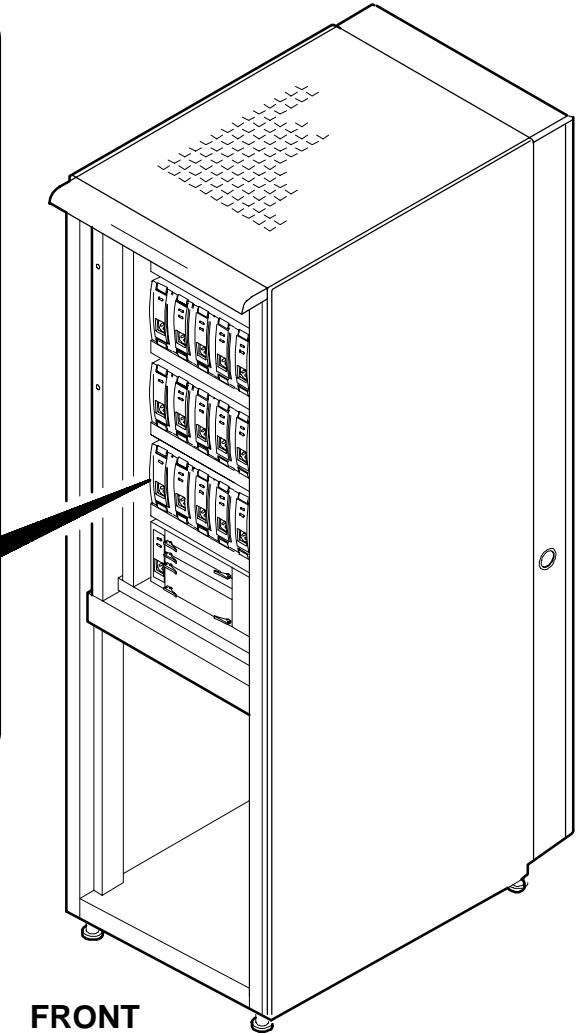
*Figure 5. AlphaServer DS10L In H9A15 M-Series Cabinet (Sheet 11 of 19)*

<b>H9A15 M-Series Cab – BA370 Mounting Locations</b>	
<b>BA370 (Qty. 1)</b>	<b>Requires A Single Ballast Kit</b>
<b>Top Front Mount – Screw Hole Locations (67, 68, 69, 70)</b>	

**REMOVE TOP FAN FROM CAB  
PRIOR TO INSTALLATION**



**Maximum Of One BA370  
With AlphaServer DS10L's**

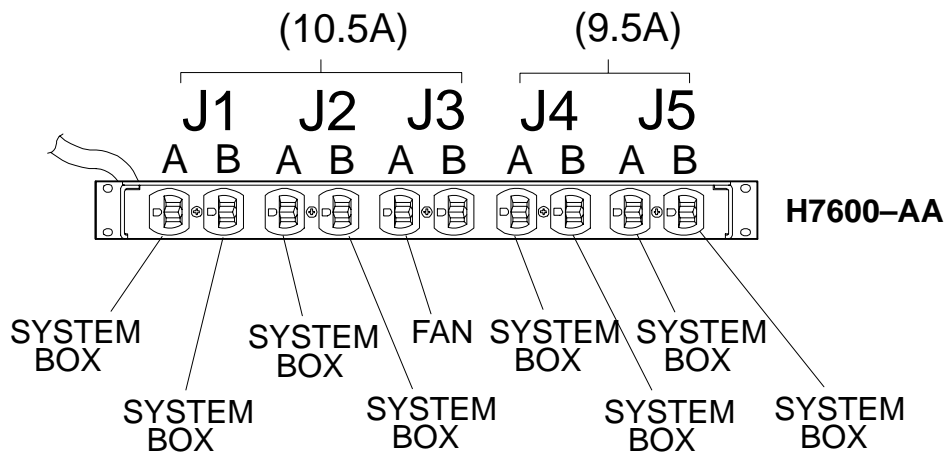


IP-H9A15-3-04C

**BA370 MOUNTING  
REFER TO 2T-BA370-AS**

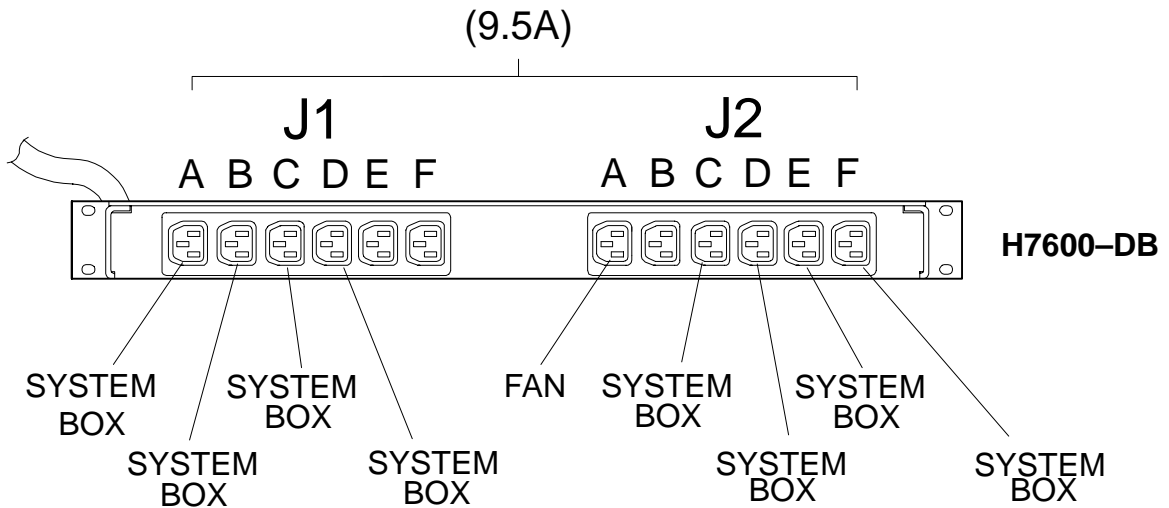
IP-H9A10-5-4C

**Figure 5. AlphaServer DS10L In H9A15 M-Series Cabinet (Sheet 12 of 19)**



H9A15 – AlphaServer DS10L	
Component	Quantity
System Box	8
Flushing Fan	1

NOTE: This Drawing Covers AlphaServer DS10L Mounting Kits (3X-H7210-AA/AC, and -BA/BC). An Additional Kit Must Be Used For Each 8 Unit Increment. Each PDU Must Be Mounted Using Spacer Brackets Found In Each Kit.

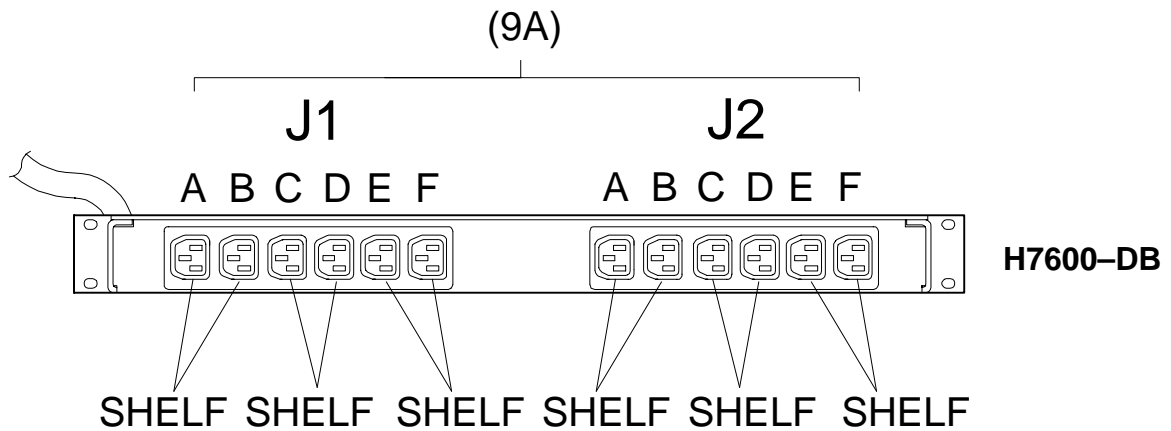


H9A15 – AlphaServer DS10L	
Component	Quantity
System Box	8
Flushing Fan	1

NOTE: This Drawing Covers AlphaServer DS10L Mounting Kits (3X-H7210-AB/BB). An Additional Kit Must Be Used For Each 8 Unit Increment. Each PDU Must Be Mounted Using Spacer Brackets Found In Each Kit.

Figure 5. AlphaServer DS10L In H9A15 M-Series Cabinet (Sheet 13 of 19)

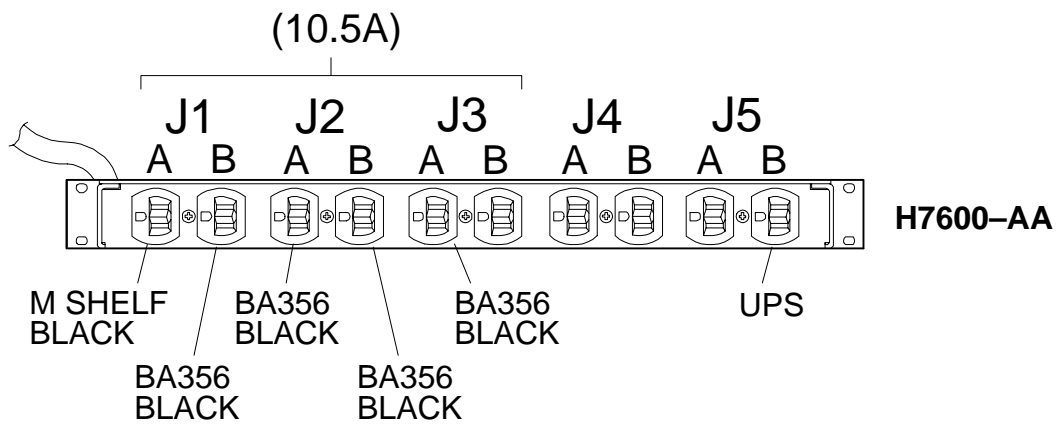




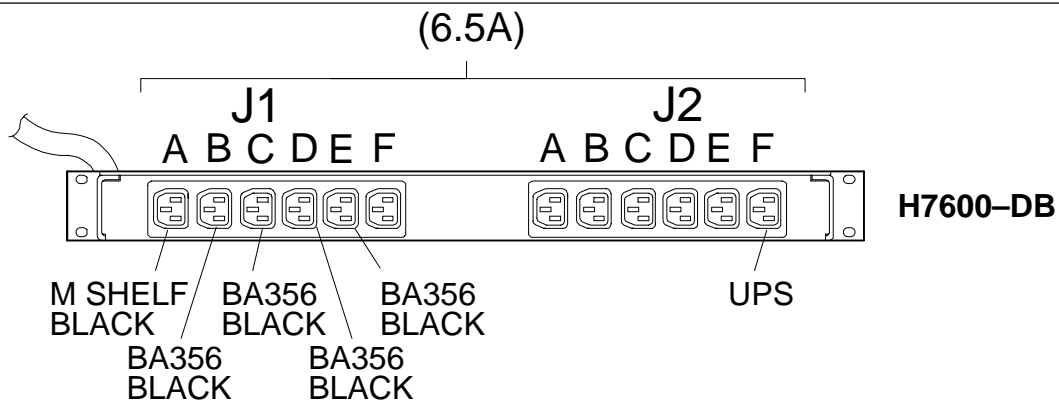
H9A15 – AlphaServer DS10L w/BA356 Storage Shelves	
System Box Quantity	BA356 Storage Shelf Quantity
36	1
32	2
28	3
24	4
20	5
16	6

- See DS10L PDU IC Drawing For System Boxes
- Use Separate PDU For BA356's
- BA356's Can Be Front Mounted Only, No Back To Back Mounting Is Permitted
- The Number Of BA356's Is Determined By The Number Of System Boxes

**Figure 5. AlphaServer DS10L In H9A15 M-Series Cabinet (Sheet 15 of 19)**

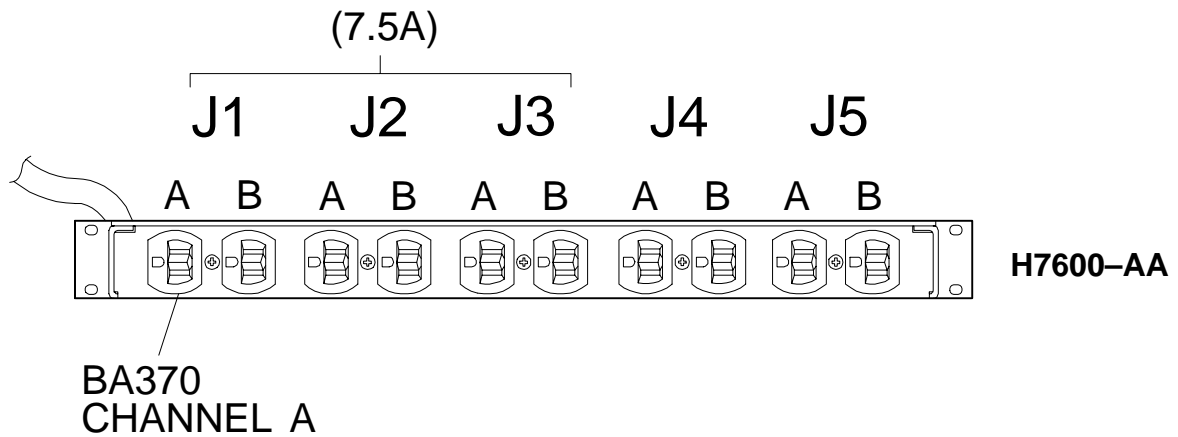


- H9A15 – AlphaServer DS10L w/RA3000**
- See DS10L PDU IC Drawing For System Boxes
  - Use Separate PDU For RA3000
  - BA356's Can Be Front Mounted Only, No Back To Back Mounting Is Permitted
  - RA3000 – All Black Power Cords Go To J1, J2, J3  
All White Power Cords Go To UPS Which Then Plugs Into J5
  - Up To 29 System Boxes Can Appear (30 If Top Fan Is Removed), With A Minimum RA3000 Configuration As Follows: UPS, M–Shelf, BA356 (Qty. 1)  
This Can Be Expanded In 4–U Increments With 4 Less System Boxes Per Increment To 16 System Boxes With The Maximum RA3000 Configuration As Follows: UPS, M–Shelf, BA356 (Qty. 4)



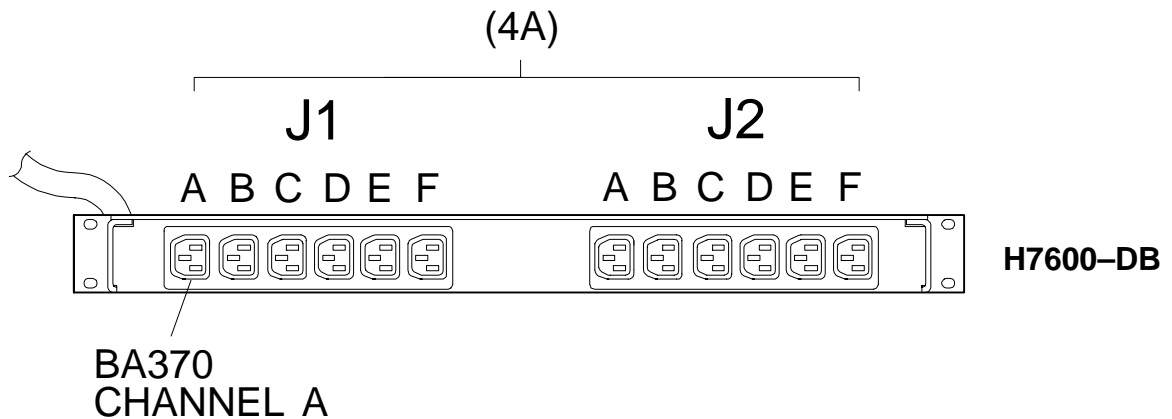
- H9A15 –AlphaServer DS10L w/RA3000**
- See DS10L PDU IC Drawing For System Boxes
  - Use Separate PDU For RA3000
  - BA356's Can Be Front Mounted Only, No Back To Back Mounting Is Permitted
  - RA3000 – All Black Power Cords Go To J1  
All White Power Cords Go To UPS Which Then Plugs Into J2
  - Up To 29 System Boxes Can Appear (30 If Top Fan Is Removed), With A Minimum RA3000 Configuration As Follows: UPS, M–Shelf, BA356 (Qty. 1)  
This Can Be Expanded In 4–U Increments With 4 Less System Boxes Per Increment To 16 System Boxes With The Maximum RA3000 Configuration As Follows: UPS, M–Shelf, BA356 (Qty. 4)

**Figure 5. AlphaServer DS10L In H9A15 M–Series Cabinet (Sheet 16 of 19)**



**H9A15 – AlphaServer DS10L w/BA370**

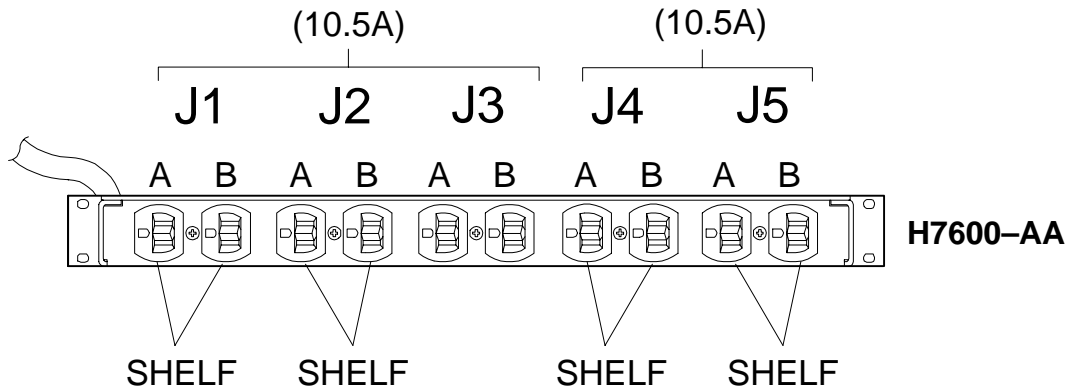
- See DS10L PDU IC Drawing For System Boxes
- Use Separate PDU For BA370
- Configuration Is Limited To A Single, Front Mount BA370
- BA370 Is Supported As A Single AC Input Device. High Availability Using Channel A and Channel B AC Inputs Would Require Another PDU Or Other AC Input Device. Refer To CS Engineering For A Custom Solution Which Offers High Availability.



**H9A15 – AlphaServer DS10L w/BA370**

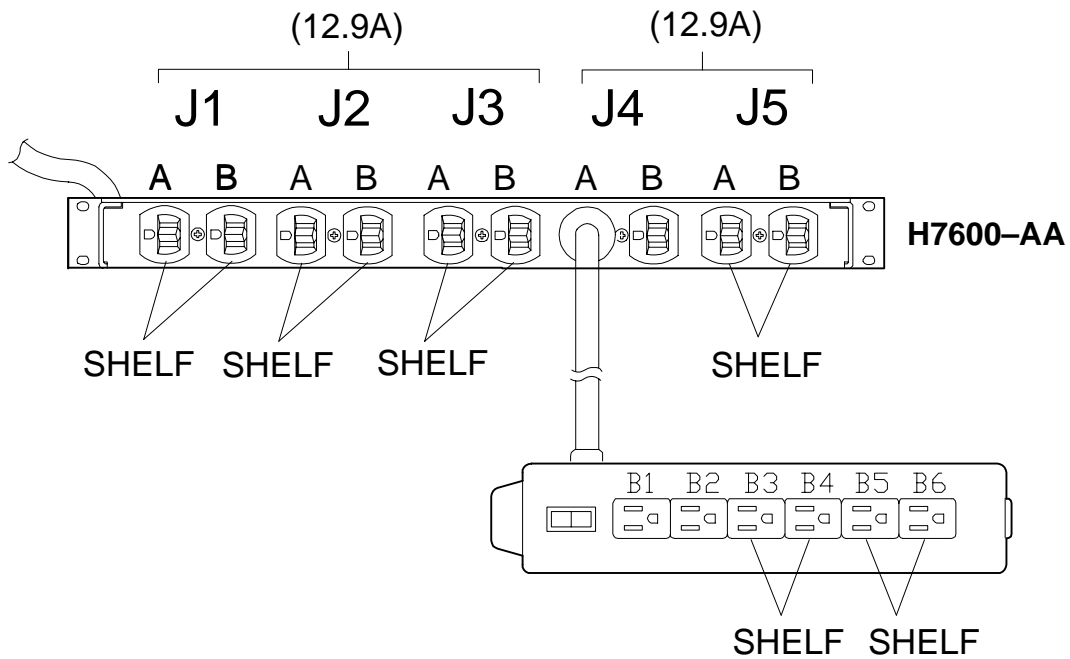
- See DS10L PDU IC Drawing For System Boxes
- Use Separate PDU For BA370
- Configuration Is Limited To A Single, Front Mount BA370
- BA370 Is Supported As A Single AC Input Device. High Availability Using Channel A and Channel B AC Inputs Would Require Another PDU Or Other AC Input Device. Refer To CS Engineering For A Custom Solution Which Offers High Availability.

Figure 5. AlphaServer DS10L In H9A15 M-Series Cabinet (Sheet 17 of 19)



H9A15 – AlphaServer DS10L w/DS–SSL14–Rx (100VAC)	
Component	Quantity
DS–SSL14–Rx	4

Note: DS–SSL14–Rx Requires Separate PDU.



H9A15 – AlphaServer DS10L w/DS–SSL14–Rx (120V)	
Component	Quantity
DS–SSL14–Rx	6

Note: DS–SSL14–Rx Requires Separate PDU.  
Use Of Power Strip Requires 2U Of Cabinet Space.

Figure 5. AlphaServer DS10L In H9A15 M–Series Cabinet (Sheet 18 of 19)

